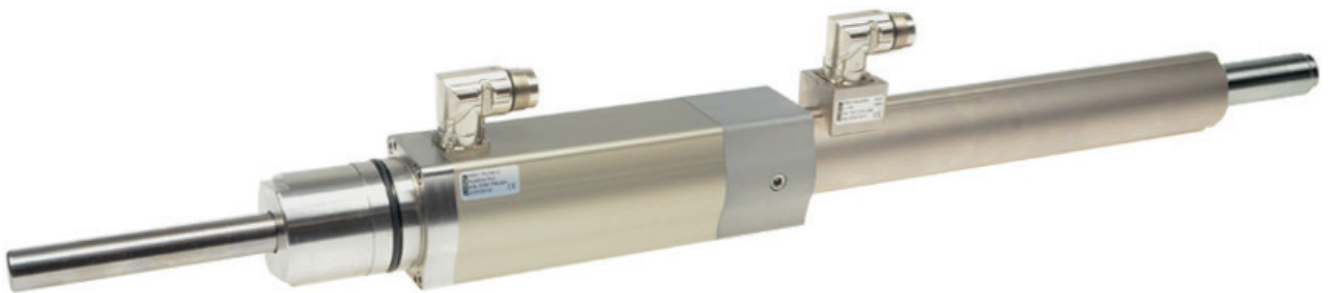
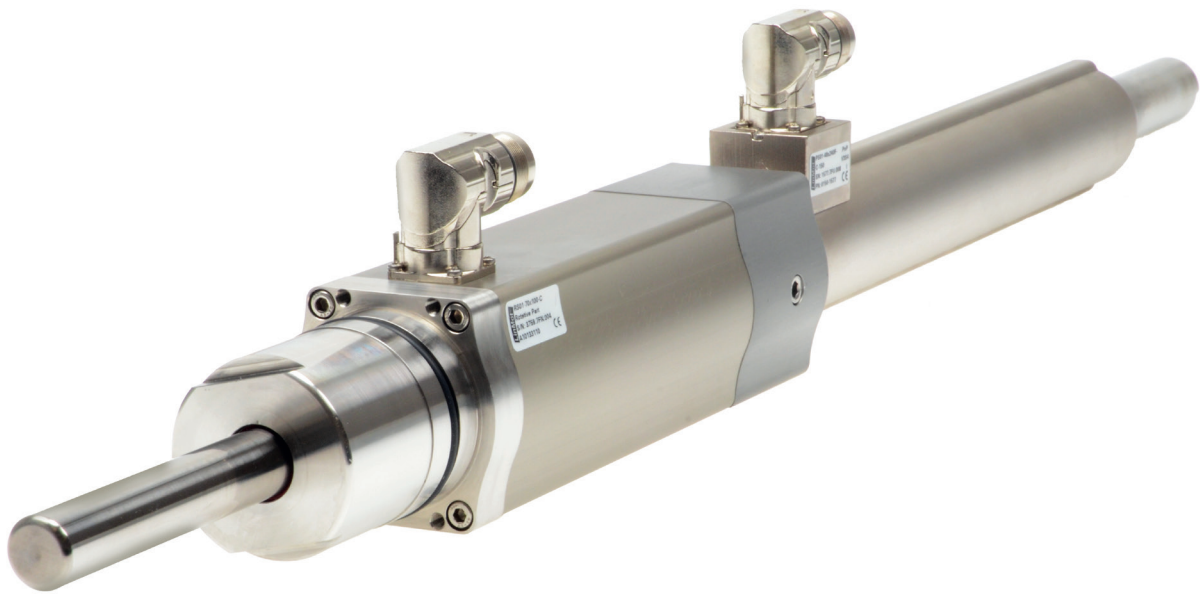


LINEAR ROTARY MOTORS PR01-70 STAINLESS STEEL

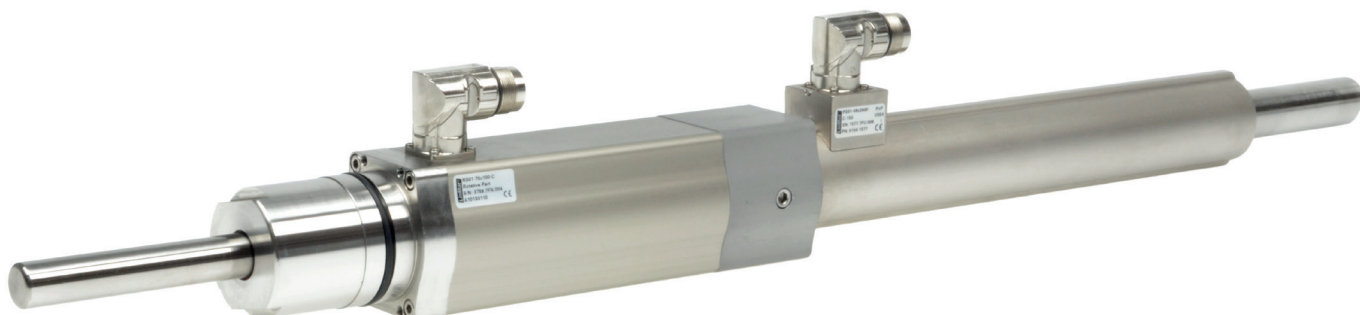


- ✓ Rotating shaft and flange made of EN 1.4404 / AISI / SAE 316L stainless steel
- ✓ Hygienic design
- ✓ Resistant to cleaning agents
- ✓ Optimal for use in the food industry
- ✓ Optimal for use in the pharmaceutical industry



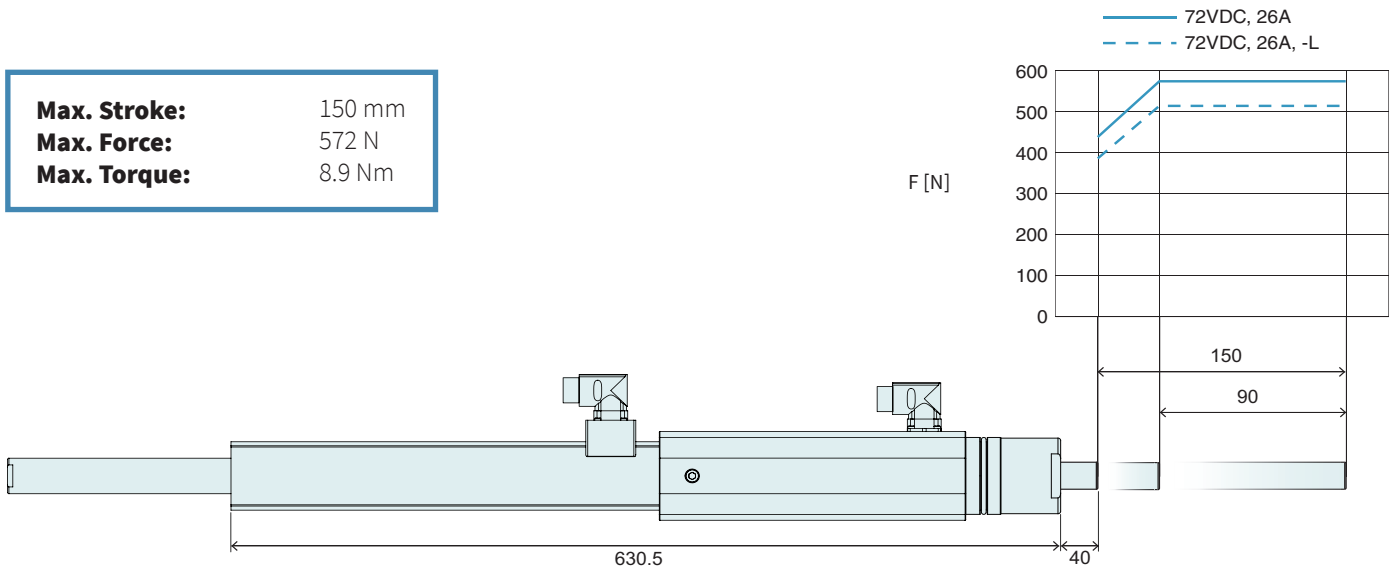
Product description

With the new PR01-70 size as an intermediate size between the existing PR01-52 and PR01-84 series, LinMot is launching a hoisting and turning motor with an external diameter of 70 mm, thus completing the hoisting and turning motors of the PR01 series. The flattened external surfaces make it possible to make even better use of the installation space when using several motors. In addition, the motor impresses with the high performance data of the already proven PR01-84 motor series and can be optimally used for capper and screwdriver applications. The SSC variant of the motor is characterised by a front flange and the rotating shaft made of stainless steel of the highest quality class.



PR01-70x100-SSC-C/48x240F-C-150 (L)

Max. Stroke:	150 mm
Max. Force:	572 N
Max. Torque:	8.9 Nm

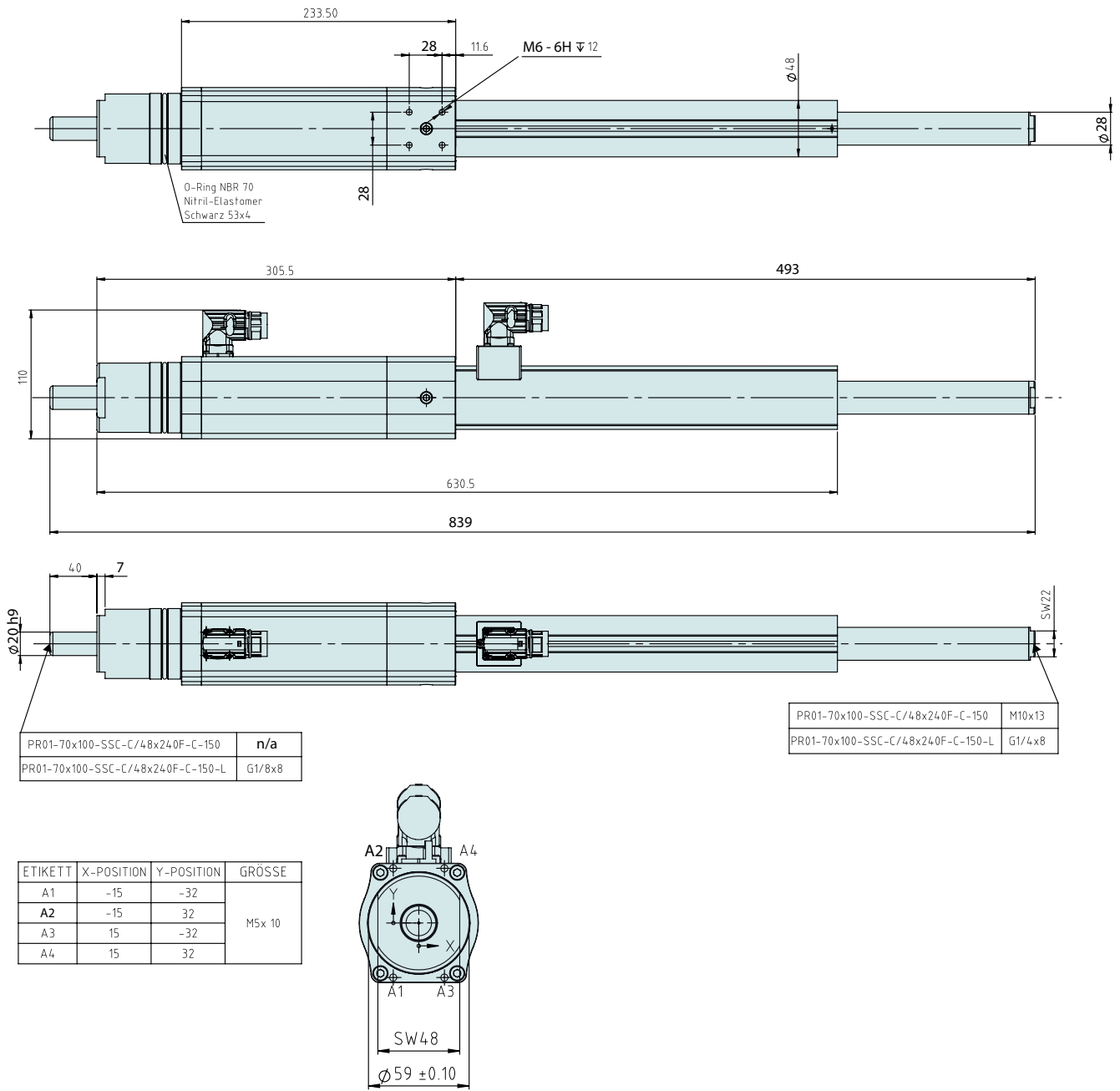


Dimensions in mm

Motor Specifications		PR01-70x100-SSC-C/48x240F-C-150 (-L)	
Linear Motion			
Extended Stroke ES	mm (in)	150	(5.91)
Standard Stroke SS	mm (in)	90	(3.54)
Peak Force	N (lbf)	572	(128.6)
Constant Force	N (lbf)	145	(74.2)
Constant Force with fan	N (lbf)	255	(57.3)
Force Constant	N/A _{pk} (lbf/A _{pk})	22	(5.0)
Max. Current @ 72VDC	A _{pk}	26	
Max. Velocity @ 72VDC	m/s (in/s)	3.0	(118)
Position Repeatability	mm (in)	±0.05	(±0.0020)
Linearity	%	±0.15	
Rotary Motion			
Peak Torque (± 10%)	Nm (lbf·in)	8.9	(78.77)
Constant Torque (Halt)	Nm (lbf·in)	1.4	(12.38)
Max. Number of revolutions	rpm	1000	
Torque Constant 1	Nm/A _{pk} (lbf·in/A _{pk})	0.36	(3.19)
Torque Constant 2	Nm/A _{rms} (lbf·in/A _{rms})	0.50	(4.43)
Max. Current @ 72VDC	A _{pk} / A _{rms}	25 / 17.7	
Position Repeatability	°	±0.05	
Mechanical Data			
Length	mm (in)	759	(29.88)
Diameter linear motor	mm (in)	48	(1.89)
Diameter rotary motor	mm (in)	70	(2.76)
Weight total	g (lb)	9969	(21.98)
Moving mass (linear)	g (lb)	2570	(5.67)
Rotary Torque of Inertia	kgcm ² (lbF ²)	1.96	(0.0047)
Axle Diameter	mm (in)	20h9	(0.79)
Through bore-hole		Option-L	Through bore-hole Diameter 4 mm, Connection (front) 1/8" x 7, Connection (back) 1/4" x 8
Protection Class			IP64 / IP67 (Front flange)

Note: L-Sliders with hollow shaft -L have a 10% reduced force.

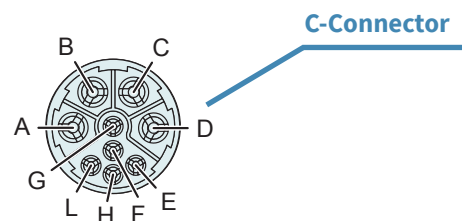
DIMENSIONS



Dimensions in mm

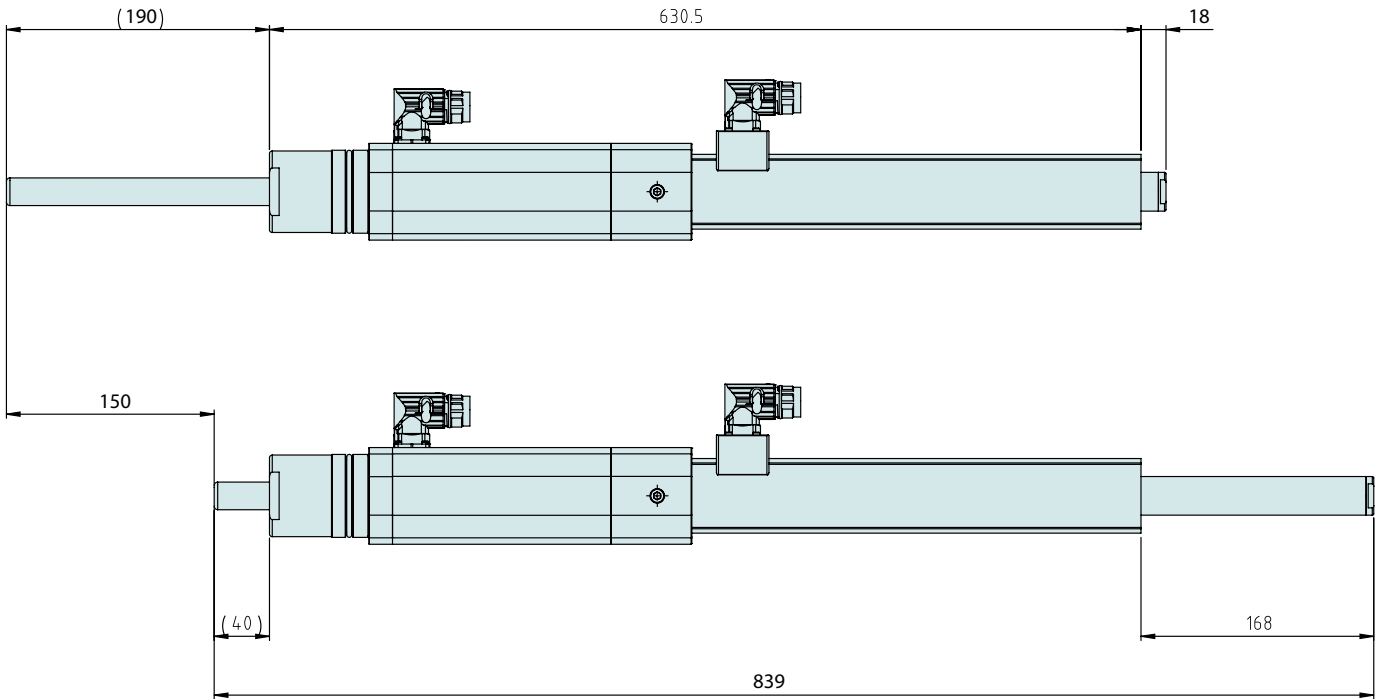
CONNECTORS

Motor Connector Wiring	Linear Unit: C-Connector	Rotary Unit: C-Connector	Wire Color Motor Cable
Ph 1+	A	A	red
Ph 1-	B	B	pink
Ph 2+	C	C	blue
Ph 2-	D	D	grey
+5VDC	E	E	white
GND	F	F	inner shield
Sin	G	G	yellow
Cos	H	H	green
Temp.	L	L	black
Shield	Housing	Housing	outer shield



View: Motor connector, plug on

MAX. STROKE



ORDERING INFORMATION

LINEAR ROTARY MOTORS PR01-70 SSC		
Item	Description	Item-No.
PR01-70x100-SSC-C/48x240F-C-150	Linear Rotary Motor, Stainless Steel	0150-3799
PR01-70x100-SSC-C/48x240F-C-150-L	Linear Rotary Motor, Stainless Steel, hollow Shaft	0150-3801

A large area of the page is filled with horizontal dashed lines, serving as a template for technical data or a table.

ALL LINEAR MOTION FROM A SINGLE SOURCE

LinMot Europe

NTI AG - LinMot & MagSpring
Bodenaeckerstrasse 2
CH-8957 Spreitenbach
Switzerland

☎ +41 (0)56 419 91 91

☎ +41 (0)56 419 91 92

✉ office@linmot.com

🏠 www.linmot.com

LinMot USA

LinMot USA, Inc.
N1922 State Road 120, Unit 1
Lake Geneva, WI 53147
United States

☎ 262-743-2555

✉ usasales@linmot.com

🏠 www.linmot-usa.com