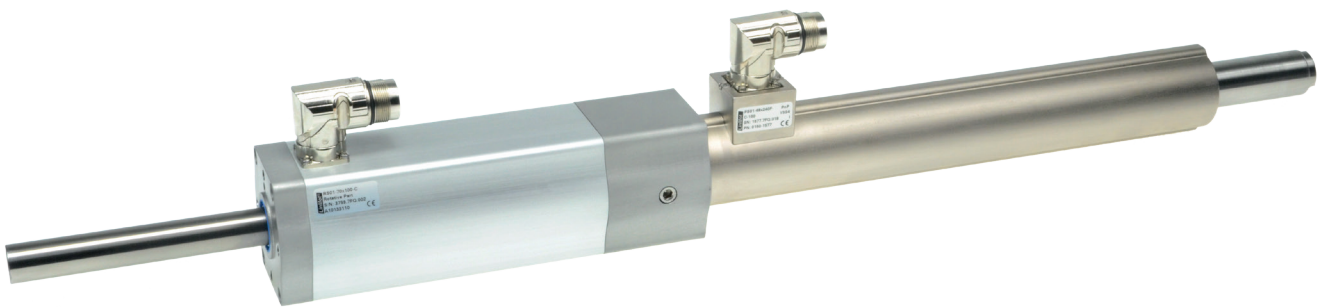


LINEAR ROTARY MOTORS PR01-70

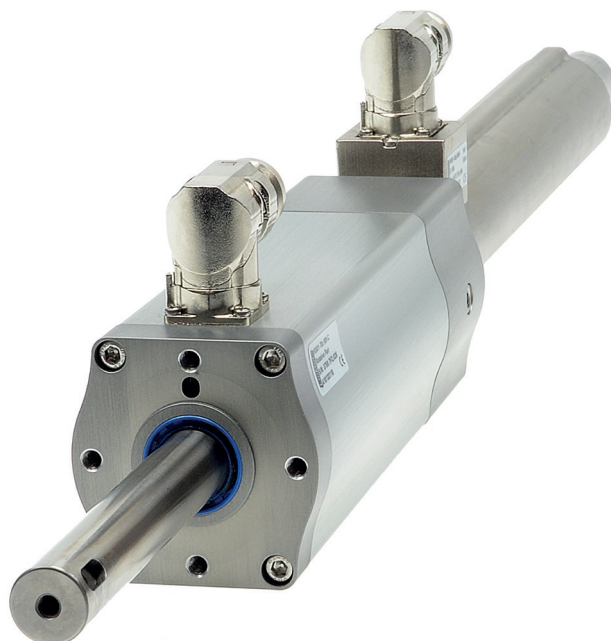


- ✓ New design with flattened outer surfaces
- ✓ Space-saving with several motors in series
- ✓ Unabhängige lineare und rotative Bewegungen
- ✓ Linear direct drive
- ✓ Rotary direct drive



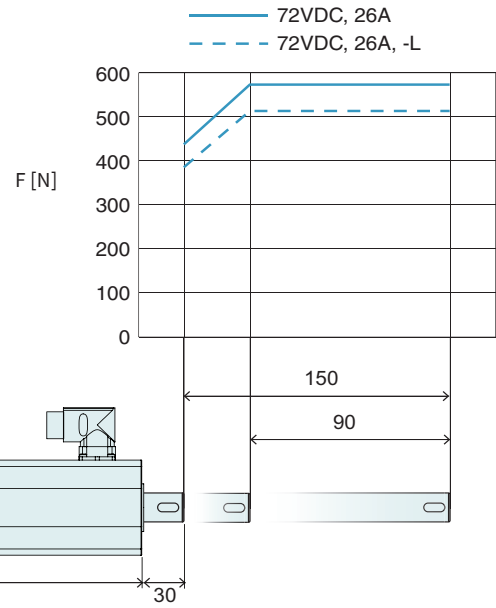
Product description

With the new PR01-70 size as an intermediate size between the existing PR01-52 and PR01-84 series, LinMot is launching a hoisting and turning motor with an external diameter of 70 mm, thus completing the hoisting and turning motors of the PR01 series. The flattened external surfaces make it possible to make even better use of the installation space when using several motors. In addition, the motor impresses with the high performance data of the already proven PR01-84 motor series and can be optimally used for capper and screwdriver applications.



PR01-70x100-C/48x240F-C-150 (L)

Max. Stroke: 150 mm
Max. Force: 572 N
Max. Torque: 8.9 Nm

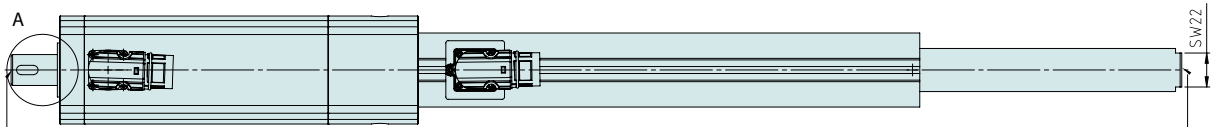
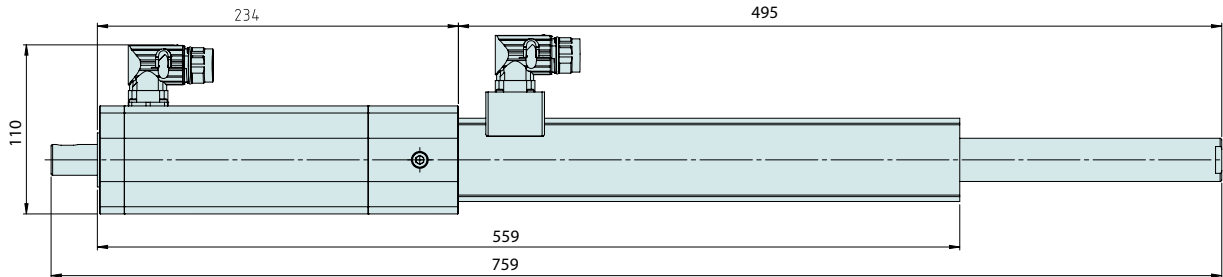
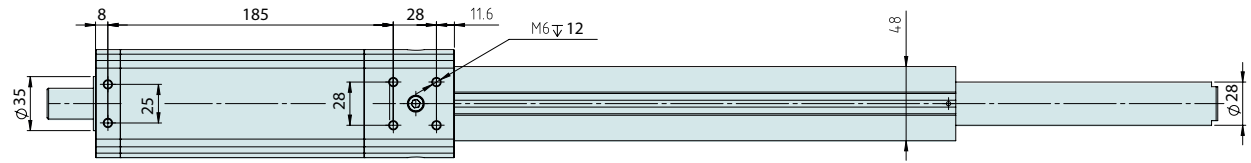


Dimensions in mm

Motor Specifications		PR01-70x100-C/48x240F-C-150 (-L)
Linear Motion		
Extended Stroke ES	mm (in)	150 (5.91)
Standard Stroke SS	mm (in)	90 (3.54)
Peak Forc	N (lbf)	572 (128.6)
Constant Force	N (lbf)	145 (74.2)
Constant Force with fan	N (lbf)	255 (57.3)
Force Constant	N/A _{pk} (lbf/A _{pk})	22 (5.0)
Max. Current @ 72VDC	A _{pk}	26
Max. Velocity @ 72VDC	m/s (in/s)	3.0 (118)
Position Repeatability	mm (in)	±0.05 (±0.0020)
Linearity	%	±0.15
Rotary Motion		
Peak Torque (± 10%)	Nm (lbf·in)	8.9 (78.77)
Constant Torque (Halt)	Nm (lbf·in)	1.4 (12.38)
Max. Number of revolutions	rpm	1000
Torque Constant 1	Nm/A _{pk} (lbf·in/A _{pk})	0.36 (3.19)
Torque Constant 2	Nm/A _{rms} (lbf·in/A _{rms})	0.50 (4.43)
Max. Current @ 72VDC	A _{pk} / A _{rms}	25 / 17.7
Position Repeatability	°	±0.05
Mechanical Data		
Length	mm (in)	759 (29.88)
Diameter linear motor	mm (in)	48 (1.89)
Diameter rotary motor	mm (in)	70 (2.76)
Weight total	g (lb)	8450 (18.63)
Moving mass (linear)	g (lb)	2570 (5.67)
Rotary Torque of Inertia	kg·cm ² (lb·ft ²)	1.96 (0.0047)
Axle Diameter	mm (in)	20h9 (0.79)
Through bore-hole		Through bore-hole Diameter 4 mm, Option-L Connection (front) 1/8" x 7, Connection (back) 1/4" x 8
Protection Class		IP64

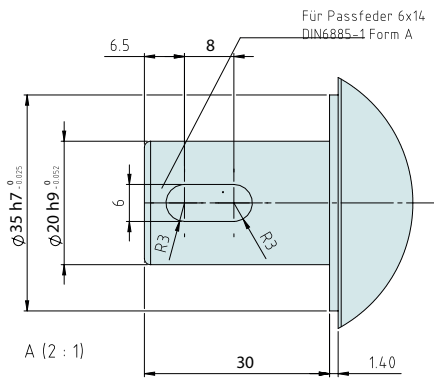
Note: L-Sliders with hollow shaft -L have a 10% reduced force.

DIMENSIONS

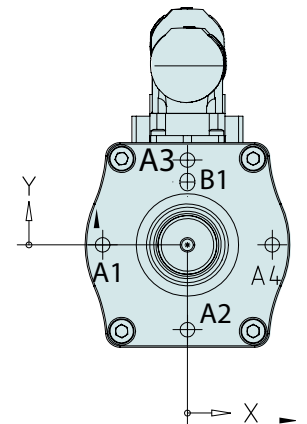


PR01-70x100-C/48x240F-C-150	M6x18
PR01-70x100-C/48x240F-C-150-L	G1/8x7

PR01-70x100-C/48x240F-C-150	M10x13
PR01-70x100-C/48x240F-C-150-L	G1/4x7



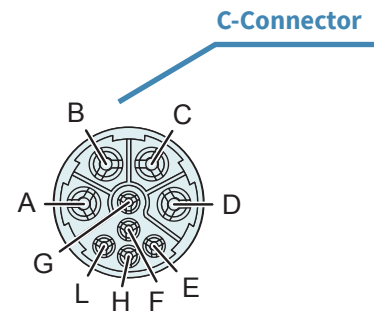
ETIKETT	X-POSITION	Y-POSITION	GRÖSSE
A1	-29	0	$\varnothing 5 \pm 20$ M6 - 6H ± 15
A2	0	-29	
A3	0	29	
A4	29	0	
B1	0	21.50	5.05 X 6 ± 8



Dimensions in mm

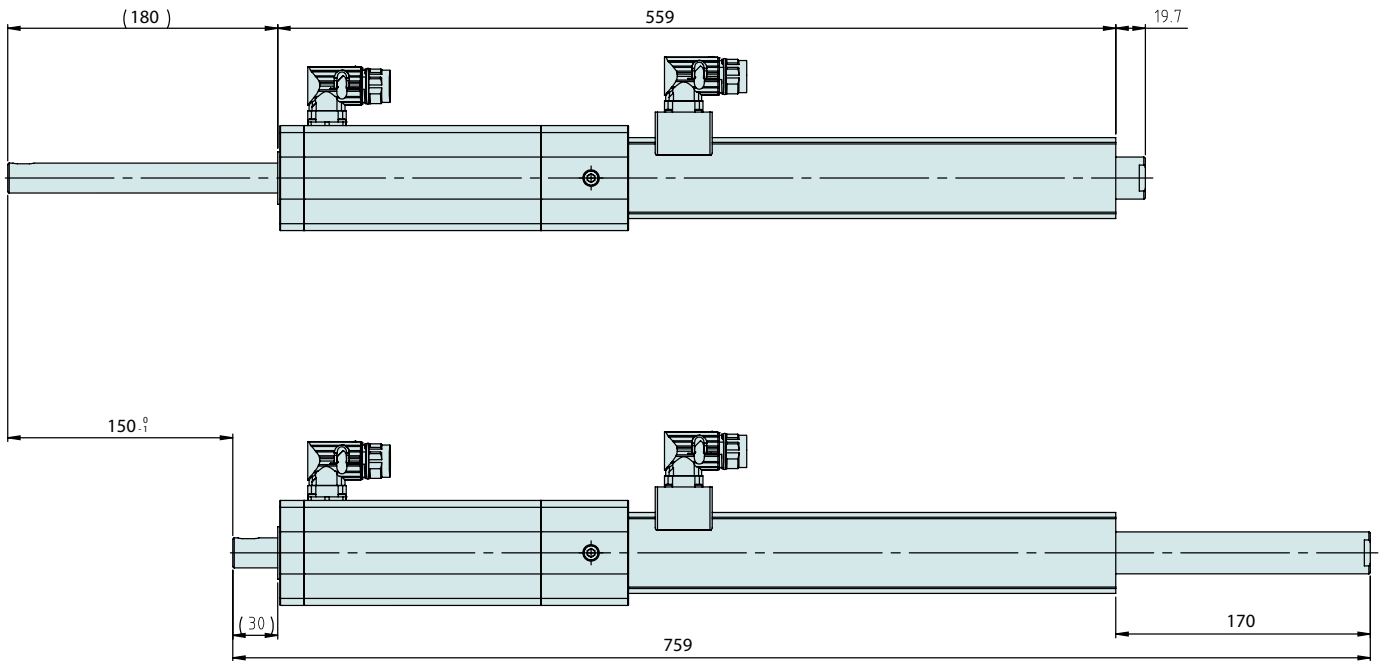
CONNECTORS

Motor Connector Wiring	Linear Unit: C-Connector	Rotary Unit: C-Connector	Wire Color Motor Cable
Ph 1+	A	A	red
Ph 1-	B	B	pink
Ph 2+	C	C	blue
Ph 2-	D	D	grey
+5VDC	E	E	white
GND	F	F	inner shield
Sin	G	G	yellow
Cos	H	H	green
Temp.	L	L	black
Shield	Housing	Housing	outer shield



View: Motor connector, plug on

MAX. STROKE



ORDERING INFORMATION

LINEAR ROTARY MOTORS PR01-70

Item	Description	Item-No.
PR01-70x100-C/48x240F-C-150	Linear Rotary Motor	0150-3760
PR01-70x100-C/48x240F-C-150-L	Linear Rotary Motor with hollow Shaft	0150-3761

Area containing multiple horizontal dashed lines for technical data entry.

ALL LINEAR MOTION FROM A SINGLE SOURCE

LinMot Europe

NTI AG - LinMot & MagSpring
Bodenaeckerstrasse 2
CH-8957 Spreitenbach
Switzerland

☎ +41 (0)56 419 91 91

☎ +41 (0)56 419 91 92

✉ office@linmot.com

🏠 www.linmot.com

LinMot USA

LinMot USA, Inc.
N1922 State Road 120, Unit 1
Lake Geneva, WI 53147
United States

☎ 262-743-2555

✉ usasales@linmot.com

🏠 www.linmot-usa.com