

# LINEAR MOTORS P01-37x120



- ✓ Highly dynamic drives
- ✓ Wide stroke range
- ✓ Available with cable outlet or with rotatable connector
- ✓ Optional with air cooling
- ✓ Wide range of applications in handling modules as well as in plant and machine construction

## LINEAR MOTORS P01-37x120

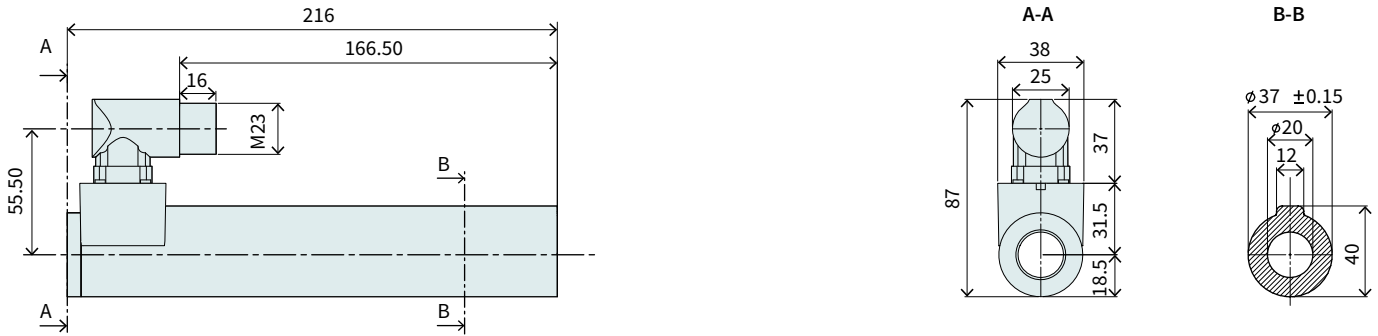
<b>Technical Data</b>	<b>199</b>
<b>Motor Specifications</b>	
P01-37x120/40x120-LC	<b>202</b>
P01-37x120/100x180-LC	<b>203</b>
P01-37x120/200x280-LC	<b>204</b>
P01-37x120/300x380-LC	<b>205</b>
P01-37x120/400x480-LC	<b>206</b>
P01-37x120/500x580-LC	<b>207</b>
P01-37x120/600x680-LC	<b>208</b>
P01-37x120/700x780-LC	<b>209</b>
P01-37x120/800x880-LC	<b>210</b>
P01-37x120/1000x1080-LC	<b>211</b>
P01-37x120/1200x1280-LC	<b>212</b>
P01-37x120/1400x1480-LC	<b>213</b>
<b>Linear Guides</b>	<b>214</b>
<b>Accessories</b>	<b>216</b>



### MOTOR FAMILY P01-37x120

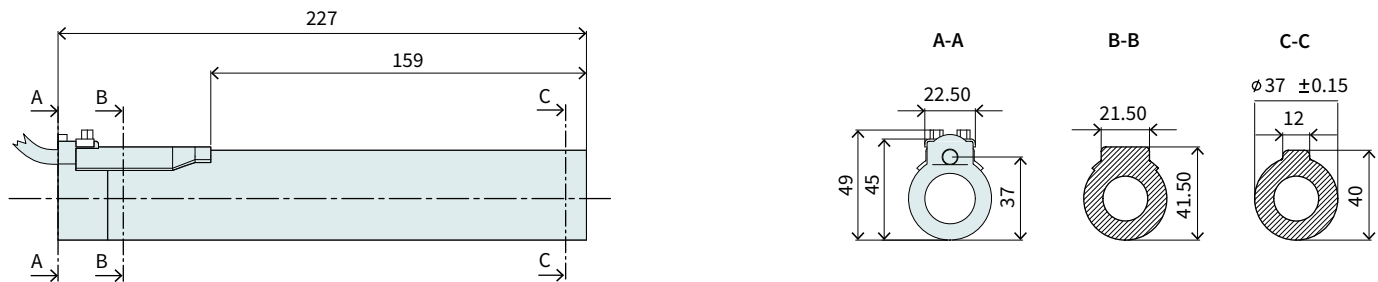
Technical Data				
<b>Stroke</b>				
Standard Stroke (SS)	mm	(in)	≤ 1400	(≤ 55.1)
Extended Stroke (ES)	mm	(in)	≤ 1480	(≤ 58.3)
<b>Force</b>				
Max. Force @ 48VDC	N	(lbf)	128	(28.7)
Max. Force @ 72VDC	N	(lbf)	163	(36.7)
Max. Cont. Force [Passive cooling / Fan / Fluid]	N	(lbf)	28 / 52 / -	(6.4 / 12 / -)
Max. Border Force relative		%		≤ 67
Force Constant	N/A <sub>pk</sub>	(lbf/A <sub>pk</sub> )	20.4	(4.59)
<b>Velocity</b>				
Max. Velocity @ 48VDC	m/s	(in/s)	2.2	(84.9)
Max. Velocity @ 72VDC	m/s	(in/s)	3.2	(129.9)
<b>Position Detection</b>				
Position Resolution	mm	(in)	0.005	(0.0002)
Repeatability	mm	(in)	±0.05	(±0.002)
Position Resolution with ES	mm	(in)	0.001	(0.00004)
Repeatability with ES	mm	(in)	±0.01	(±0.0004)
Linearity with ES	mm	(in)	±0.01	(±0.0004)
<b>Electrical Data</b>				
Max. Current @ 48VDC		A <sub>pk</sub>	6.2	
Max. Current @ 72VDC		A <sub>pk</sub>	7.9	
Max. Cont. Current [Passive cooling / Fan / Fluid]		A <sub>pk</sub>	1.4 / 2.5 / -	
Terminal Resistance 25 °C / 120 °C		Ohm	6.2 / 8.5	
Terminal Inductivity		mH	3.1	
Magnetic Period	mm	(in)	40	(1.57)
<b>Thermal Data</b>				
Max. Winding Temperature (Sensor)		°C	90	
Thermal Resistance [Passive cooling / Fan / Fluid]		*K/W	3.3 / 0.98 / -	
Thermal Time Constant [Passive cooling / Fan / Fluid]		s	1300 / 390 / -	
<b>Mechanical Data</b>				
Stator Diameter	mm	(in)	37	(1.5)
Stator Length [Connector type / Cable type]	mm	(in)	216 / 227	(8.5 / 8.9)
Stator Mass	g	(lb)	740	(1.6)
Slider Diameter	mm	(in)	20	(0.79)
Slider Length	mm	(in)	240 - 1600	(9.4 - 63)
Slider Mass	g	(lb)	490 - 3620	(1.1 - 7.96)
IP Code				IP 65

**STATOR CONNECTOR TYPE**



Item	Description	Item-No.
<b>PS01-37x120-C</b>	Stator with IP67 Connector M23/9(m)	<a href="#">0150-1223</a>

**STATOR CABLE TYPE**

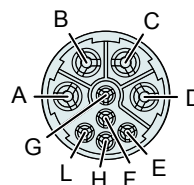


Item	Description	Item-No.
<b>PS01-37x120</b>	Stator, 1.5 m Cable, Connector P/10(m)	<a href="#">0150-1204</a>
<b>PS01-37x120-C20</b>	Stator, 0.2 m Cable, IP67 St. M23/9(m)	<a href="#">0150-1237</a>

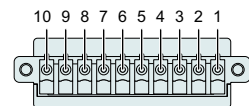
**CONNECTOR**

Motor Connector Wiring	PS01-37x120-C	PS01-37x120	Wire color motor cable
	PS01-37x120-C20	P-Connector	
Ph 1+	A	1	red
Ph 1-	B	2	pink
Ph 2+	C	3	blue
Ph 2-	D	4	grey
+5VDC	E	5	white
GND	F	6	inner shield
Sin	G	7	yellow
Cos	H	8	green
Temp.	L	9	black
Shield	Housing	10	outer Shield

**C-Connector**



**P-Connector**

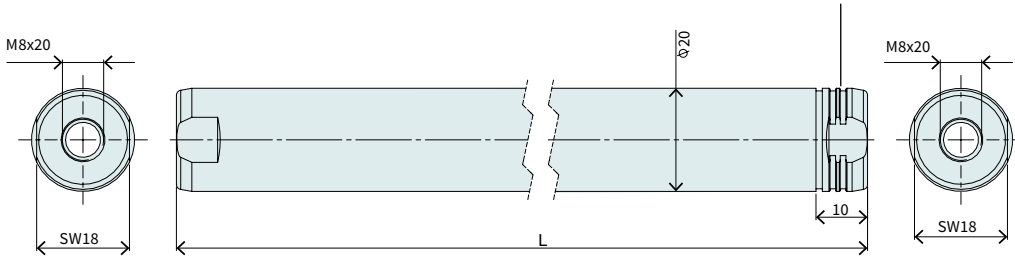


View: Motor Connector, plug side

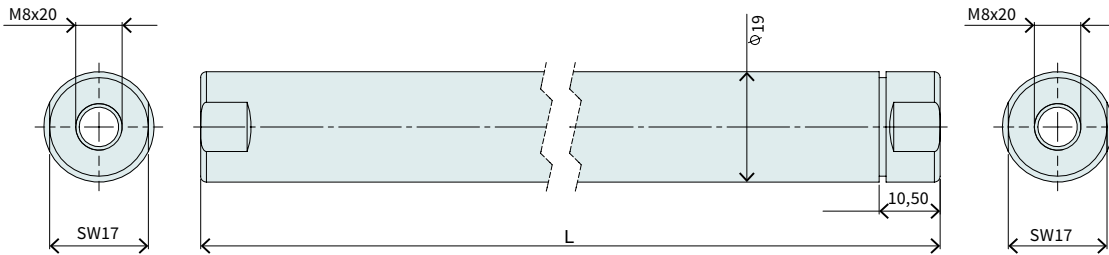
**SLIDER**

**Slider Standard / Heavy Duty**

Number of grooves determines the slider type (see chapter 2 / slider) and marks the front end.



**High-Clearance Slider**



Slider Standard				
Item	Description	Max. Stroke [mm]	Standard Stroke [mm]	Item-No.
PL01-20x240/180-LC	Slider 'standard LC'	120	40	<a href="#">0150-2560</a>
PL01-20x300/240-LC	Slider 'standard LC'	180	100	<a href="#">0150-2561</a>
PL01-20x400/340-LC	Slider 'standard LC'	280	200	<a href="#">0150-2562</a>
PL01-20x500/440-LC	Slider 'standard LC'	380	300	<a href="#">0150-2563</a>
PL01-20x600/540-LC	Slider 'standard LC'	480	400	<a href="#">0150-2564</a>
PL01-20x700/640-LC	Slider 'standard LC'	580	500	<a href="#">0150-2565</a>
PL01-20x800/740-LC	Slider 'standard LC'	680	600	<a href="#">0150-2566</a>
PL01-20x900/840-LC	Slider 'standard LC'	780	700	<a href="#">0150-2567</a>
PL01-20x1000/940-LC	Slider 'standard LC'	880	800	<a href="#">0150-2568</a>
PL01-20x1200/1140-LC	Slider 'standard LC'	1080	1000	<a href="#">0150-2569</a>
PL01-20x1400/1340-LC	Slider 'standard LC'	1280	1200	<a href="#">0150-2570</a>
PL01-20x1600/1540-LC	Slider 'standard LC'	1480	1400	<a href="#">0150-2571</a>

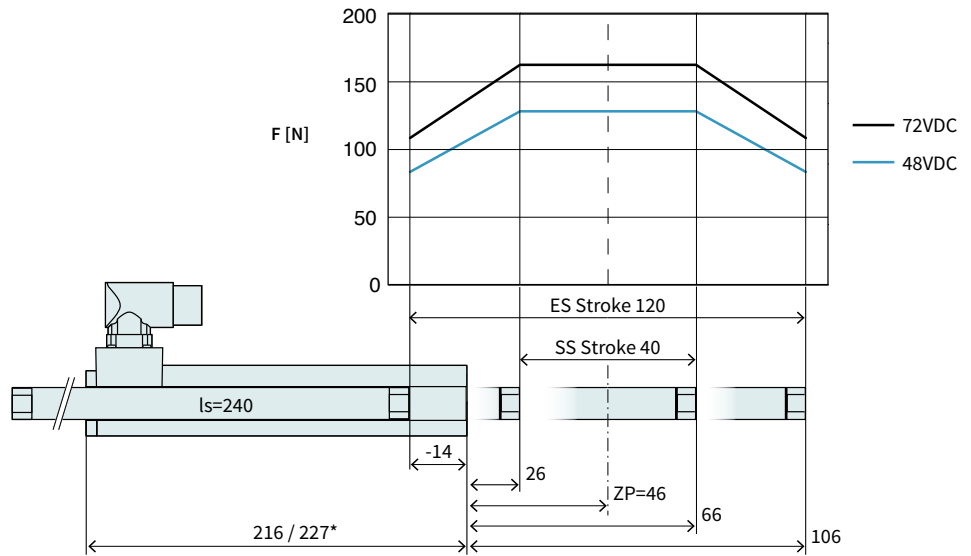
Slider Heavy Duty				
Item	Description	Max. Stroke [mm]	Standard Stroke [mm]	Item-No.
PL02-20x240/180-LC	Slider 'heavy duty LC'	120	40	<a href="#">0150-2572</a>
PL02-20x300/240-LC	Slider 'heavy duty LC'	180	100	<a href="#">0150-2573</a>
PL02-20x400/340-LC	Slider 'heavy duty LC'	280	200	<a href="#">0150-2574</a>
PL02-20x500/440-LC	Slider 'heavy duty LC'	380	300	<a href="#">0150-2575</a>
PL02-20x600/540-LC	Slider 'heavy duty LC'	480	400	<a href="#">0150-2576</a>
PL02-20x700/640-LC	Slider 'heavy duty LC'	580	500	<a href="#">0150-2577</a>
PL02-20x800/740-LC	Slider 'heavy duty LC'	680	600	<a href="#">0150-2578</a>
PL02-20x900/840-LC	Slider 'heavy duty LC'	780	700	<a href="#">0150-2579</a>

High-Clearance Slider				
Item	Description	Max. Stroke [mm]	Standard Stroke [mm]	Item-No.
PL01-19x240/160	Slider 'high clearance'	100	80	<a href="#">0150-1488</a>
PL01-19x300/220	Slider 'high clearance'	160	140	<a href="#">0150-1489</a>
PL01-19x395/320	Slider 'high clearance'	260	240	<a href="#">0150-1452</a>
PL01-19x500/420	Slider 'high clearance'	360	340	<a href="#">0150-1455</a>
PL01-19x600/520	Slider 'high clearance'	460	440	<a href="#">0150-1456</a>
PL01-19x700/620	Slider 'high clearance'	560	540	<a href="#">0150-1457</a>

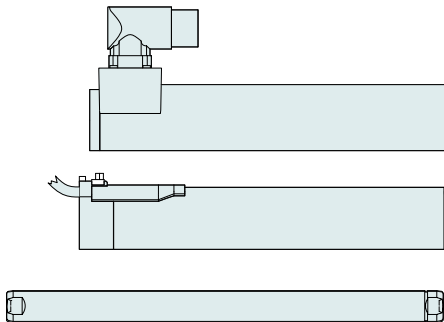
**P01-37x120/40x120-LC**

**Max. Stroke:** 120 mm  
**Peak Force:** 163 N

Dimensions in mm  
 \* Cable Type



Technical Data P01-37x120/40x120-LC			
<b>Stroke</b>			
Standard Stroke (SS)	mm (in)	40 (1.57)	
Extended Stroke (ES)	mm (in)	120 (4.71)	
<b>Force</b>			
Max. Force @ 48VDC	N (lbf)	128 (28.7)	
Max. Force @ 72VDC	N (lbf)	163 (36.7)	
Max. Cont. Force [Passive cooling / Fan / Fluid]	N (lbf)	28 / 52 / - (6.4 / 12 / -)	
Max. Border Force relative	%	67	
Force Constant	N/A <sub>pk</sub> (lbf/A <sub>pk</sub> )	20.4 (4.59)	
<b>Velocity</b>			
Max. Velocity @ 48VDC	m/s (in/s)	2.2 (84.9)	
Max. Velocity @ 72VDC	m/s (in/s)	3.2 (129.9)	
<b>Position Detection</b>			
Repeatability	mm (in)	±0.05 (±0.002)	
Linearity	%	± 0.5	
<b>Electrical Data</b>			
Max. Current @ 48VDC	A <sub>pk</sub>	6.2	
Max. Current @ 72VDC	A <sub>pk</sub>	7.9	
Max. Cont. Current [Passive cooling / Fan / Fluid]	A <sub>pk</sub>	1.4 / 2.5 / -	
<b>Thermal Data</b>			
Max. Winding Temperature (Sensor)	°C	90	
Thermal Resistance [Passive cooling / Fan / Fluid]	°K/W	3.3 / 0.98 / -	
Thermal Time Constant [Passive cooling / Fan / Fluid]	s	1300 / 390 / -	
<b>Mechanical Data</b>			
Slider Length	mm (in)	240 (9.4)	
Slider Mass	g (lb)	490 (1.08)	

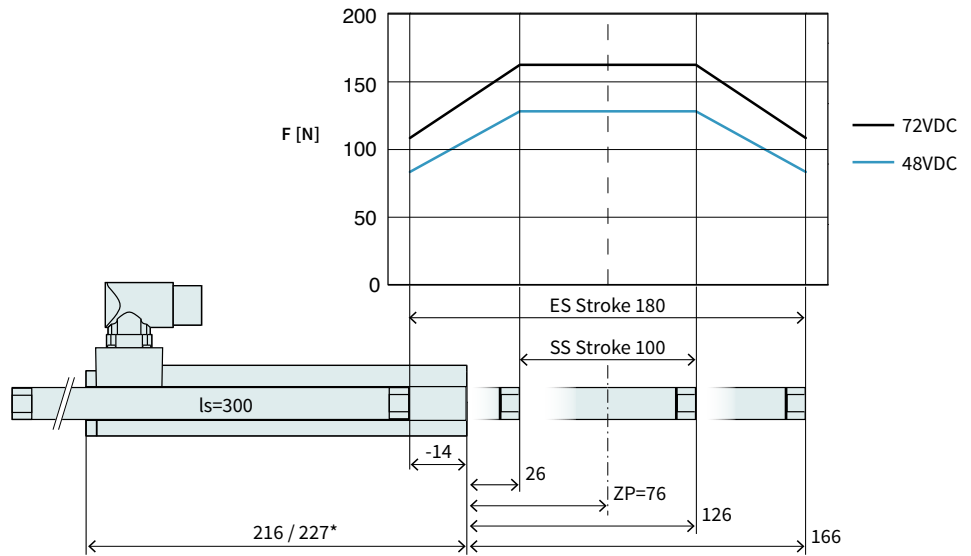


Item	Description	Item-No.
<b>PS01-37x120-C</b>	Stator with IP67 Connector M23/9(m)	<a href="#">0150-1223</a>
<b>PS01-37x120</b>	Stator, 1.5m Cable, Connector P/10(m)	<a href="#">0150-1204</a>
<b>PS01-37x120-C20</b>	Stator, 0.2m Cable, IP67 St. M23/9(m)	<a href="#">0150-1237</a>
<b>PL01-20x240/180-LC</b>	Slider 'standard LC'	<a href="#">0150-2560</a>
<b>PL02-20x240/180-LC</b>	Slider 'heavy duty LC'	<a href="#">0150-2572</a>
<b>PL01-19x240/160*</b>	Slider 'high clearance'	<a href="#">0150-1448</a>

\* With this slider, the motor specifications above change.

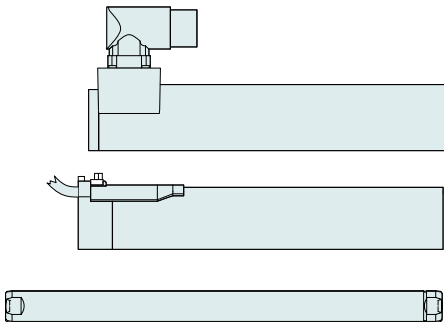
**P01-37x120/100x180-LC**

**Max. Stroke:** 180 mm  
**Peak Force:** 163 N



Dimensions in mm  
 \* Cable Type

Technical Data P01-37x120/100x180-LC				
<b>Stroke</b>				
Standard Stroke (SS)	mm (in)		100 (3.93)	
Extended Stroke (ES)	mm (in)		180 (7.08)	
<b>Force</b>				
Max. Force @ 48VDC	N (lbf)		128 (28.7)	
Max. Force @ 72VDC	N (lbf)		163 (36.7)	
Max. Cont. Force [Passive cooling / Fan / Fluid]	N (lbf)		28 / 52 / - (6.4 / 12 / -)	
Max. Border Force relative	%		67	
Force Constant	N/A <sub>pk</sub> (lbf/A <sub>pk</sub> )		20.4 (4.59)	
<b>Velocity</b>				
Max. Velocity @ 48VDC	m/s (in/s)		2.2 (84.9)	
Max. Velocity @ 72VDC	m/s (in/s)		3.2 (129.9)	
<b>Position Detection</b>				
Repeatability	mm (in)		±0.05 (±0.002)	
Linearity	%		± 0.4	
<b>Electrical Data</b>				
Max. Current @ 48VDC	A <sub>pk</sub>		6.2	
Max. Current @ 72VDC	A <sub>pk</sub>		7.9	
Max. Cont. Current [Passive cooling / Fan / Fluid]	A <sub>pk</sub>		1.4 / 2.5 / -	
<b>Thermal Data</b>				
Max. Winding Temperature (Sensor)	°C		90	
Thermal Resistance [Passive cooling / Fan / Fluid]	°K/W		3.3 / 0.98 / -	
Thermal Time Constant [Passive cooling / Fan / Fluid]	s		1300 / 390 / -	
<b>Mechanical Data</b>				
Slider Length	mm (in)		300 (12)	
Slider Mass	g (lb)		630 (1.39)	

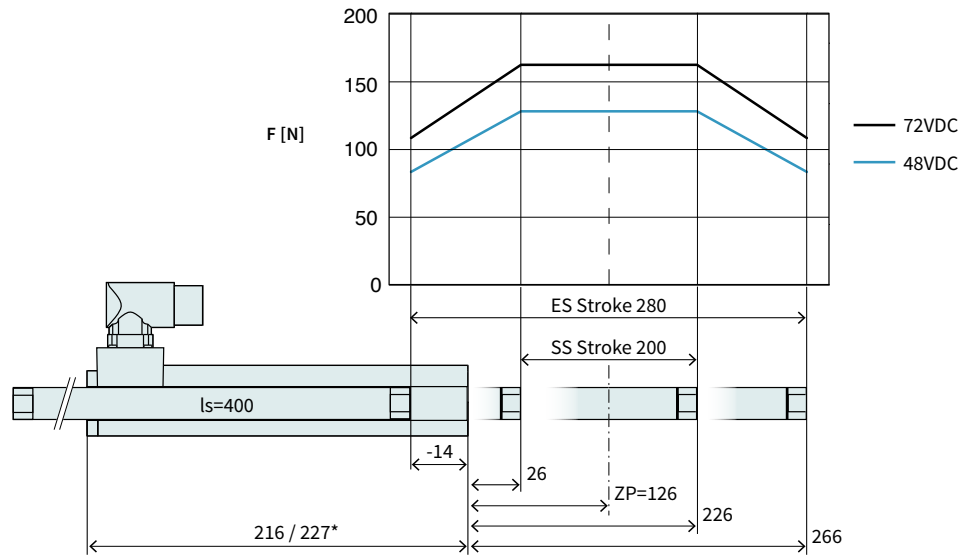


Item	Description	Item-No.
<b>PS01-37x120-C</b>	Stator with IP67 Connector M23/9(m)	<a href="#">0150-1223</a>
<b>PS01-37x120</b>	Stator, 1.5m Cable, Connector P/10(m)	<a href="#">0150-1204</a>
<b>PS01-37x120-C20</b>	Stator, 0.2m Cable, IP67 St. M23/9(m)	<a href="#">0150-1237</a>
<b>PL01-20x300/240-LC</b>	Slider 'standard LC'	<a href="#">0150-2561</a>
<b>PL02-20x300/240-LC</b>	Slider 'heavy duty LC'	<a href="#">0150-2573</a>
<b>PL01-19x300/220*</b>	Slider 'high clearance'	<a href="#">0150-1449</a>

\* With this slider, the motor specifications above change.

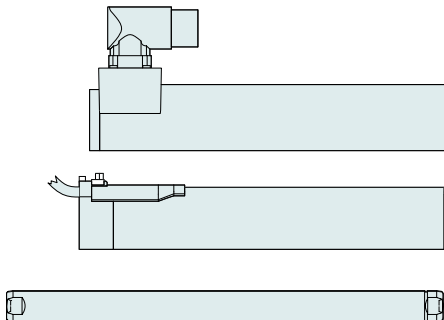
**P01-37x120/200x280-LC**

**Max. Stroke:** 280 mm  
**Peak Force:** 163 N



Dimensions in mm  
 \* Cable Type

Technical Data P01-37x120/200x280-LC			
<b>Stroke</b>			
Standard Stroke (SS)	mm (in)	200 (7.86)	
Extended Stroke (ES)	mm (in)	280 (10.99)	
<b>Force</b>			
Max. Force @ 48VDC	N (lbf)	128 (28.7)	
Max. Force @ 72VDC	N (lbf)	163 (36.7)	
Max. Cont. Force [Passive cooling / Fan / Fluid]	N (lbf)	28 / 52 / - (6.4 / 12 / -)	
Max. Border Force relative	%	67	
Force Constant	N/A <sub>pk</sub> (lbf/A <sub>pk</sub> )	20.4 (4.59)	
<b>Velocity</b>			
Max. Velocity @ 48VDC	m/s (in/s)	2.2 (84.9)	
Max. Velocity @ 72VDC	m/s (in/s)	3.2 (129.9)	
<b>Position Detection</b>			
Repeatability	mm (in)	±0.05 (±0.002)	
Linearity	%	± 0.3	
<b>Electrical Data</b>			
Max. Current @ 48VDC	A <sub>pk</sub>	6.2	
Max. Current @ 72VDC	A <sub>pk</sub>	7.9	
Max. Cont. Current [Passive cooling / Fan / Fluid]	A <sub>pk</sub>	1.4 / 2.5 / -	
<b>Thermal Data</b>			
Max. Winding Temperature (Sensor)	°C	90	
Thermal Resistance [Passive cooling / Fan / Fluid]	°K/W	3.3 / 0.98 / -	
Thermal Time Constant [Passive cooling / Fan / Fluid]	s	1300 / 390 / -	
<b>Mechanical Data</b>			
Slider Length	mm (in)	400 (16)	
Slider Mass	g (lb)	860 (1.89)	



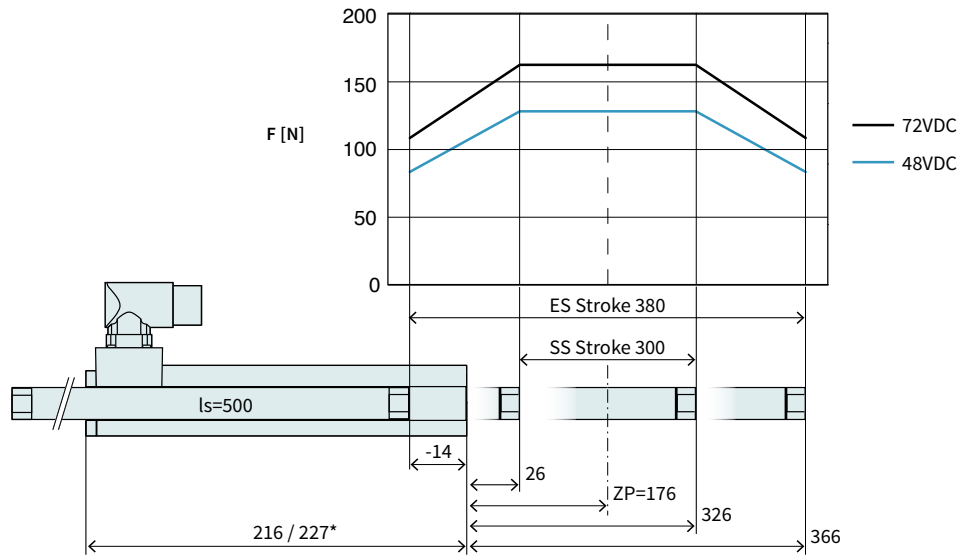
Item	Description	Item-No.
<b>PS01-37x120-C</b>	Stator with IP67 Connector M23/9(m)	<a href="#">0150-1223</a>
<b>PS01-37x120</b>	Stator, 1.5m Cable, Connector P/10(m)	<a href="#">0150-1204</a>
<b>PS01-37x120-C20</b>	Stator, 0.2m Cable, IP67 St. M23/9(m)	<a href="#">0150-1237</a>
<b>PL01-20x400/340-LC</b>	Slider 'standard LC'	<a href="#">0150-2562</a>
<b>PL02-20x400/340-LC</b>	Slider 'heavy duty LC'	<a href="#">0150-2574</a>
<b>PL01-19x395/320*</b>	Slider 'high clearance'	<a href="#">0150-1452</a>

\* With this slider, the motor specifications above change.



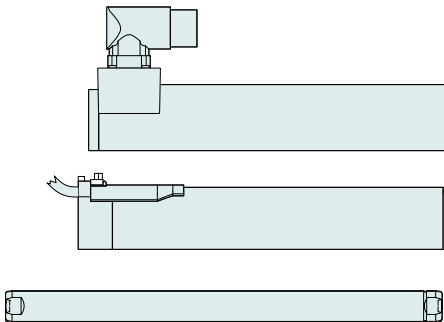
**P01-37x120/300x380-LC**

**Max. Stroke:** 380 mm  
**Peak Force:** 163 N



Dimensions in mm  
 \* Cable Type

Technical Data P01-37x120/300x380-LC				
<b>Stroke</b>				
Standard Stroke (SS)	mm (in)		300 (11.8)	
Extended Stroke (ES)	mm (in)		380 (14.99)	
<b>Force</b>				
Max. Force @ 48VDC	N (lbf)		128 (28.7)	
Max. Force @ 72VDC	N (lbf)		163 (36.7)	
Max. Cont. Force [Passive cooling / Fan / Fluid]	N (lbf)		28 / 52 / - (6.4 / 12 / -)	
Max. Border Force relative	%		67	
Force Constant	N/A <sub>pk</sub> (lbf/A <sub>pk</sub> )		20.4 (4.59)	
<b>Velocity</b>				
Max. Velocity @ 48VDC	m/s (in/s)		2.2 (84.9)	
Max. Velocity @ 72VDC	m/s (in/s)		3.2 (129.9)	
<b>Position Detection</b>				
Repeatability	mm (in)		±0.05 (±0.002)	
Linearity	%		± 0.25	
<b>Electrical Data</b>				
Max. Current @ 48VDC	A <sub>pk</sub>		6.2	
Max. Current @ 72VDC	A <sub>pk</sub>		7.9	
Max. Cont. Current [Passive cooling / Fan / Fluid]	A <sub>pk</sub>		1.4 / 2.5 / -	
<b>Thermal Data</b>				
Max. Winding Temperature (Sensor)	°C		90	
Thermal Resistance [Passive cooling / Fan / Fluid]	°K/W		3.3 / 0.98 / -	
Thermal Time Constant [Passive cooling / Fan / Fluid]	s		1300 / 390 / -	
<b>Mechanical Data</b>				
Slider Length	mm (in)		500 (20)	
Slider Mass	g (lb)		1090 (2.4)	



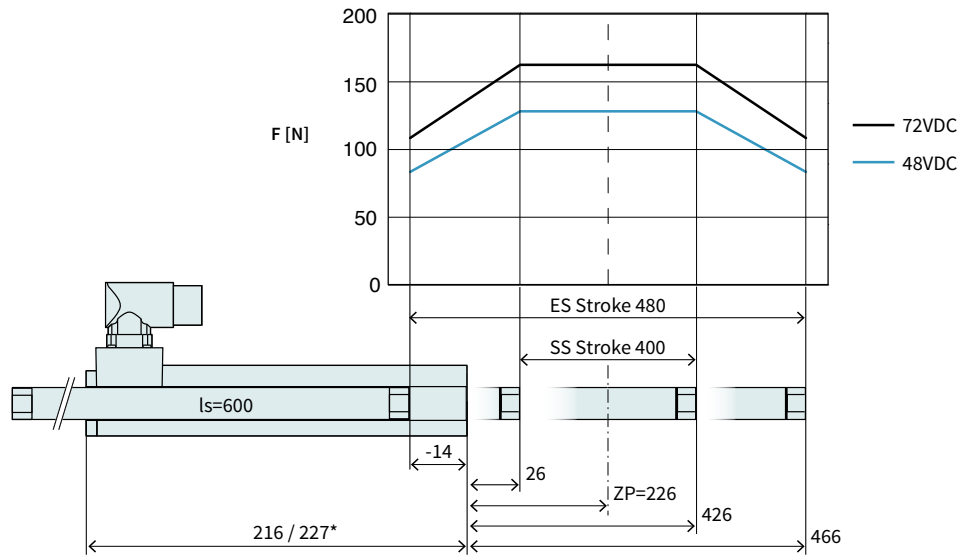
Item	Description	Item-No.
<b>PS01-37x120-C</b>	Stator with IP67 Connector M23/9(m)	<a href="#">0150-1223</a>
<b>PS01-37x120</b>	Stator, 1.5m Cable, Connector P/10(m)	<a href="#">0150-1204</a>
<b>PS01-37x120-C20</b>	Stator, 0.2m Cable, IP67 St. M23/9(m)	<a href="#">0150-1237</a>
<b>PL01-20x500/440-LC</b>	Slider 'standard LC'	<a href="#">0150-2563</a>
<b>PL02-20x500/440-LC</b>	Slider 'heavy duty LC'	<a href="#">0150-2575</a>
<b>PL01-19x500/420*</b>	Slider 'high clearance'	<a href="#">0150-1455</a>

\* With this slider, the motor specifications above change.

**P01-37x120/400x480-LC**

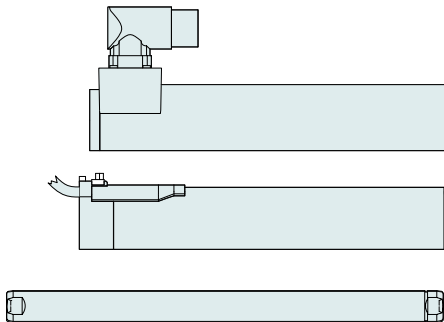
3

**Max. Stroke:** 480 mm  
**Peak Force:** 163 N



Dimensions in mm  
 \* Cable Type

Technical Data P01-37x120/400x480-LC			
<b>Stroke</b>			
Standard Stroke (SS)	mm (in)		400 (15.69)
Extended Stroke (ES)	mm (in)		480 (18.89)
<b>Force</b>			
Max. Force @ 48VDC	N (lbf)		128 (28.7)
Max. Force @ 72VDC	N (lbf)		163 (36.7)
Max. Cont. Force [Passive cooling / Fan / Fluid]	N (lbf)		28 / 52 / - (6.4 / 12 / -)
Max. Border Force relative	%		67
Force Constant	N/A <sub>pk</sub> (lbf/A <sub>pk</sub> )		20.4 (4.59)
<b>Velocity</b>			
Max. Velocity @ 48VDC	m/s (in/s)		2.2 (84.9)
Max. Velocity @ 72VDC	m/s (in/s)		3.2 (129.9)
<b>Position Detection</b>			
Repeatability	mm (in)		±0.05 (±0.002)
Linearity	%		± 0.2
<b>Electrical Data</b>			
Max. Current @ 48VDC	A <sub>pk</sub>		6.2
Max. Current @ 72VDC	A <sub>pk</sub>		7.9
Max. Cont. Current [Passive cooling / Fan / Fluid]	A <sub>pk</sub>		1.4 / 2.5 / -
<b>Thermal Data</b>			
Max. Winding Temperature (Sensor)	°C		90
Thermal Resistance [Passive cooling / Fan / Fluid]	°K/W		3.3 / 0.98 / -
Thermal Time Constant [Passive cooling / Fan / Fluid]	s		1300 / 390 / -
<b>Mechanical Data</b>			
Slider Length	mm (in)		600 (24)
Slider Mass	g (lb)		1330 (2.93)

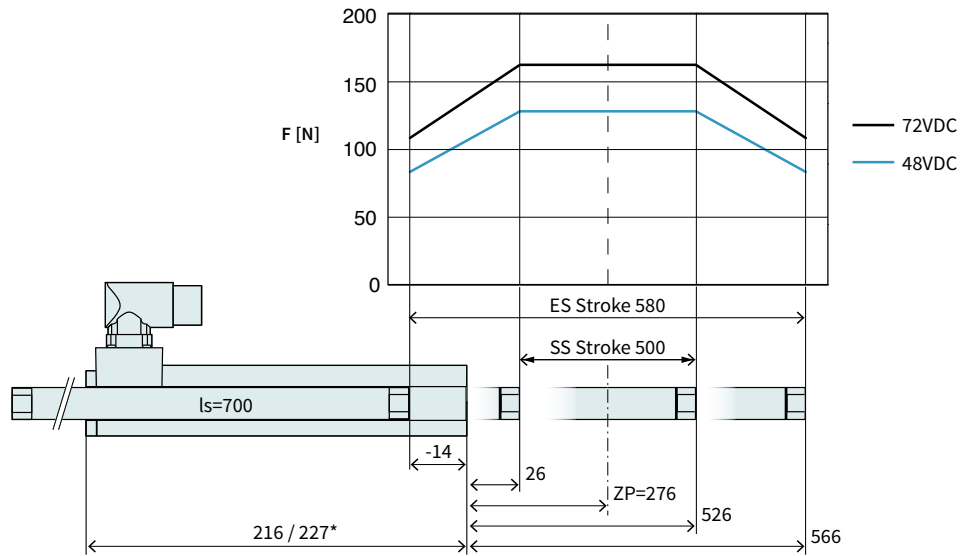


Item	Description	Item-No.
<b>PS01-37x120-C</b>	Stator with IP67 Connector M23/9(m)	<a href="#">0150-1223</a>
<b>PS01-37x120</b>	Stator, 1.5m Cable, Connector P/10(m)	<a href="#">0150-1204</a>
<b>PS01-37x120-C20</b>	Stator, 0.2m Cable, IP67 St. M23/9(m)	<a href="#">0150-1237</a>
<b>PL01-20x600/540-LC</b>	Slider 'standard LC'	<a href="#">0150-2564</a>
<b>PL02-20x600/540-LC</b>	Slider 'heavy duty LC'	<a href="#">0150-2576</a>
<b>PL01-19x600/520*</b>	Slider 'high clearance'	<a href="#">0150-1456</a>

\* With this slider, the motor specifications above change.

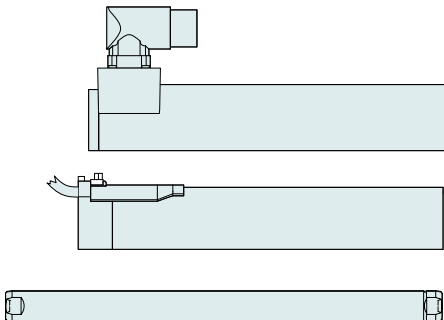
**P01-37x120/500x580-LC**

**Max. Stroke:** 580 mm  
**Peak Force:** 163 N



Dimensions in mm  
 \* Cable Type

Technical Data P01-37x120/500x580-LC				
<b>Stroke</b>				
Standard Stroke (SS)	mm	(in)	500	(19.69)
Extended Stroke (ES)	mm	(in)	580	(22.8)
<b>Force</b>				
Max. Force @ 48VDC	N	(lbf)	128	(28.7)
Max. Force @ 72VDC	N	(lbf)	163	(36.7)
Max. Cont. Force [Passive cooling / Fan / Fluid]	N	(lbf)	28 / 52 / -	(6.4 / 12 / -)
Max. Border Force relative			67	
Force Constant	N/A <sub>pk</sub>	(lbf/A <sub>pk</sub> )	20.4	(4.59)
<b>Velocity</b>				
Max. Velocity @ 48VDC	m/s	(in/s)	2.2	(84.9)
Max. Velocity @ 72VDC	m/s	(in/s)	3.2	(129.9)
<b>Position Detection</b>				
Repeatability	mm	(in)	±0.05	(±0.002)
Linearity			± 0.2	
<b>Electrical Data</b>				
Max. Current @ 48VDC	A <sub>pk</sub>		6.2	
Max. Current @ 72VDC	A <sub>pk</sub>		7.9	
Max. Cont. Current [Passive cooling / Fan / Fluid]	A <sub>pk</sub>		1.4 / 2.5 / -	
<b>Thermal Data</b>				
Max. Winding Temperature (Sensor)	°C		90	
Thermal Resistance [Passive cooling / Fan / Fluid]	°K/W		3.3 / 0.98 / -	
Thermal Time Constant [Passive cooling / Fan / Fluid]	s		1300 / 390 / -	
<b>Mechanical Data</b>				
Slider Length	mm	(in)	700	(28)
Slider Mass	g	(lb)	1560	(3.43)

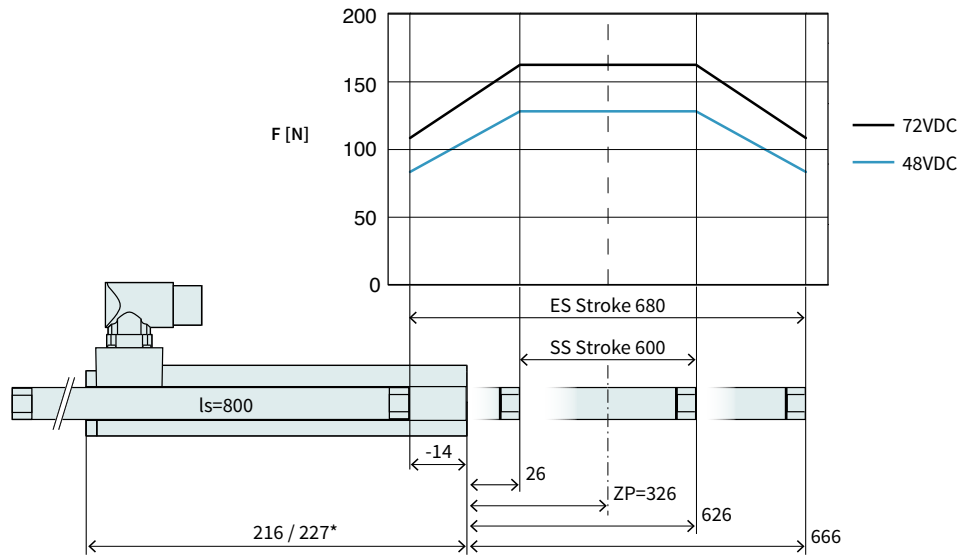


Item	Description	Item-No.
<b>PS01-37x120-C</b>	Stator with IP67 Connector M23/9(m)	<a href="#">0150-1223</a>
<b>PS01-37x120</b>	Stator, 1.5m Cable, Connector P/10(m)	<a href="#">0150-1204</a>
<b>PS01-37x120-C20</b>	Stator, 0.2m Cable, IP67 St. M23/9(m)	<a href="#">0150-1237</a>
<b>PL01-20x700/640-LC</b>	Slider 'standard LC'	<a href="#">0150-2565</a>
<b>PL02-20x700/640-LC</b>	Slider 'heavy duty LC'	<a href="#">0150-2577</a>
<b>PL01-19x700/620*</b>	Slider 'high clearance'	<a href="#">0150-1457</a>

\* With this slider, the motor specifications above change.

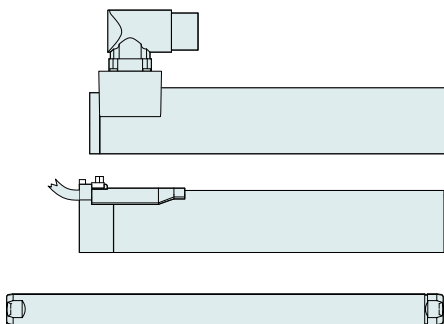
**P01-37x120/600x680-LC**

**Max. Stroke:** 680 mm  
**Peak Force:** 163 N



Dimensions in mm  
 \* Cable Type

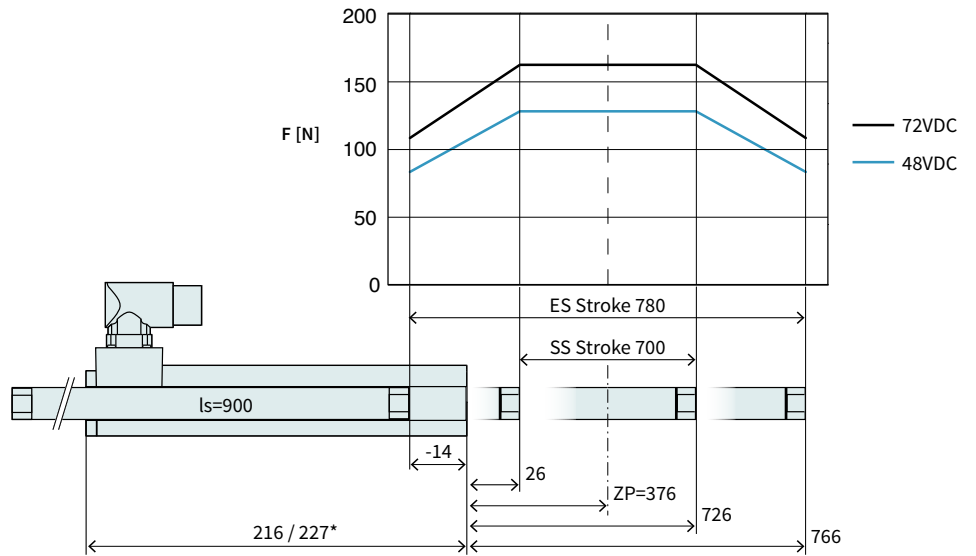
Technical Data P01-37x120/600x680-LC			
<b>Stroke</b>			
Standard Stroke (SS)	mm (in)		600 (23.6)
Extended Stroke (ES)	mm (in)		680 (26.8)
<b>Force</b>			
Max. Force @ 48VDC	N (lbf)		128 (28.7)
Max. Force @ 72VDC	N (lbf)		163 (36.7)
Max. Cont. Force [Passive cooling/ Fan / Fluid]	N (lbf)		28 / 52 / - (6.4 / 12 / -)
Max. Border Force relative	%		67
Force Constant	N/A <sub>pk</sub> (lbf/A <sub>pk</sub> )		20.4 (4.59)
<b>Velocity</b>			
Max. Velocity @ 48VDC	m/s (in/s)		2.2 (84.9)
Max. Velocity @ 72VDC	m/s (in/s)		3.2 (129.9)
<b>Position Detection</b>			
Repeatability	mm (in)		±0.05 (±0.002)
Linearity	%		± 0.15
<b>Electrical Data</b>			
Max. Current @ 48VDC	A <sub>pk</sub>		6.2
Max. Current @ 72VDC	A <sub>pk</sub>		7.9
Max. Cont. Current [Passive cooling / Fan / Fluid]	A <sub>pk</sub>		1.4 / 2.5 / -
<b>Thermal Data</b>			
Max. Winding Temperature (Sensor)	°C		90
Thermal Resistance [Passive cooling / Fan / Fluid]	°K/W		3.3 / 0.98 / -
Thermal Time Constant [Passive cooling / Fan / Fluid]	s		1300 / 390 / -
<b>Mechanical Data</b>			
Slider Length	mm (in)		800 (31)
Slider Mass	g (lb)		1790 (3.94)



Item	Description	Item-No.
<b>PS01-37x120-C</b>	Stator with IP67 Connector M23/9(m)	<a href="#">0150-1223</a>
<b>PS01-37x120</b>	Stator, 1.5m Cable, Connector P/10(m)	<a href="#">0150-1204</a>
<b>PS01-37x120-C20</b>	Stator, 0.2m Cable, IP67 St. M23/9(m)	<a href="#">0150-1237</a>
<b>PL01-20x800/740-LC</b>	Slider 'standard LC'	<a href="#">0150-2566</a>
<b>PL02-20x800/740-LC</b>	Slider 'heavy duty LC'	<a href="#">0150-2578</a>

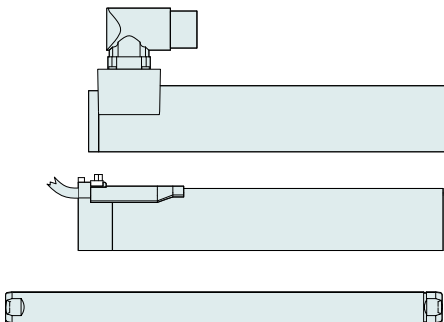
**P01-37x120/700x780-LC**

**Max. Stroke:** 780 mm  
**Peak Force:** 163 N



Dimensions in mm  
 \* Cable Type

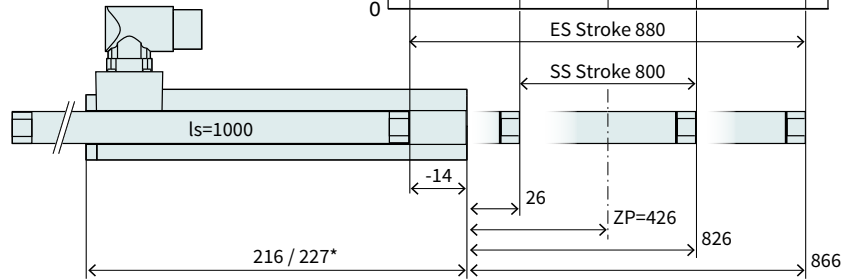
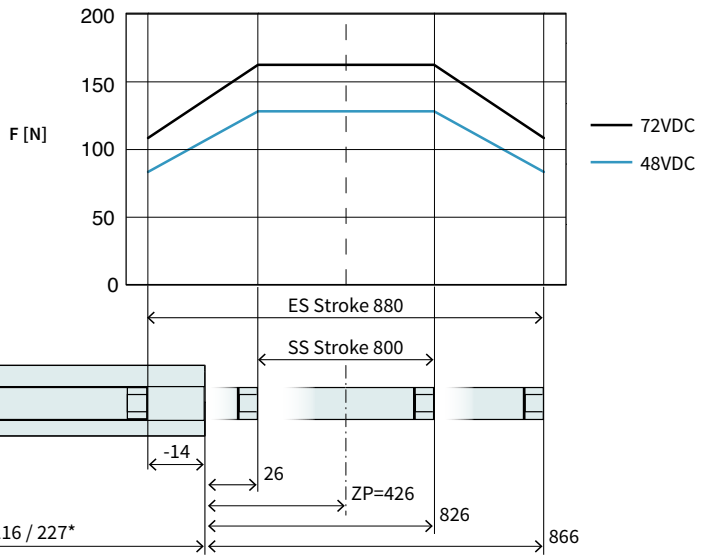
Technical Data P01-37x120/700x780-LC				
<b>Stroke</b>				
Standard Stroke (SS)	mm	(in)	700	(27.6)
Extended Stroke (ES)	mm	(in)	780	(30.69)
<b>Force</b>				
Max. Force @ 48VDC	N	(lbf)	128	(28.7)
Max. Force @ 72VDC	N	(lbf)	163	(36.7)
Max. Cont. Force [Passive cooling / Fan / Fluid]	N	(lbf)	28 / 52 / -	(6.4 / 12 / -)
Max. Border Force relative			67	
Force Constant	N/A <sub>pk</sub>	(lbf/A <sub>pk</sub> )	20.4	(4.59)
<b>Velocity</b>				
Max. Velocity @ 48VDC	m/s	(in/s)	2.2	(84.9)
Max. Velocity @ 72VDC	m/s	(in/s)	3.2	(129.9)
<b>Position Detection</b>				
Repeatability	mm	(in)	±0.05	(±0.002)
Linearity			± 0.15	
<b>Electrical Data</b>				
Max. Current @ 48VDC	A <sub>pk</sub>		6.2	
Max. Current @ 72VDC	A <sub>pk</sub>		7.9	
Max. Cont. Current [Passive cooling / Fan / Fluid]	A <sub>pk</sub>		1.4 / 2.5 / -	
<b>Thermal Data</b>				
Max. Winding Temperature (Sensor)	°C		90	
Thermal Resistance [Passive cooling / Fan / Fluid]	°K/W		3.3 / 0.98 / -	
Thermal Time Constant [Passive cooling / Fan / Fluid]	s		1300 / 390 / -	
<b>Mechanical Data</b>				
Slider Length	mm	(in)	900	(35)
Slider Mass	g	(lb)	2020	(4.44)



Item	Description	Item-No.
<b>PS01-37x120-C</b>	Stator with IP67 Connector M23/9(m)	<a href="#">0150-1223</a>
<b>PS01-37x120</b>	Stator, 1.5m Cable, Connector P/10(m)	<a href="#">0150-1204</a>
<b>PS01-37x120-C20</b>	Stator, 0.2m Cable, IP67 St. M23/9(m)	<a href="#">0150-1237</a>
<b>PL01-20x900/840-LC</b>	Slider 'standard LC'	<a href="#">0150-2567</a>
<b>PL02-20x900/840-LC</b>	Slider 'heavy duty LC'	<a href="#">0150-2579</a>

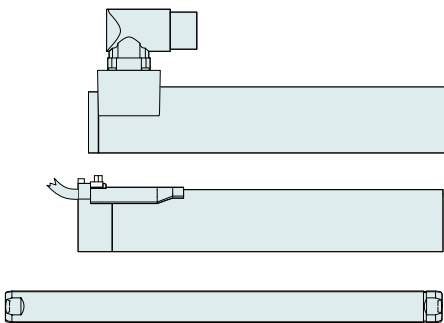
**P01-37x120/800x880-LC**

**Max. Stroke:** 880 mm  
**Peak Force:** 163 N



Dimensions in mm  
 \* Cable Type

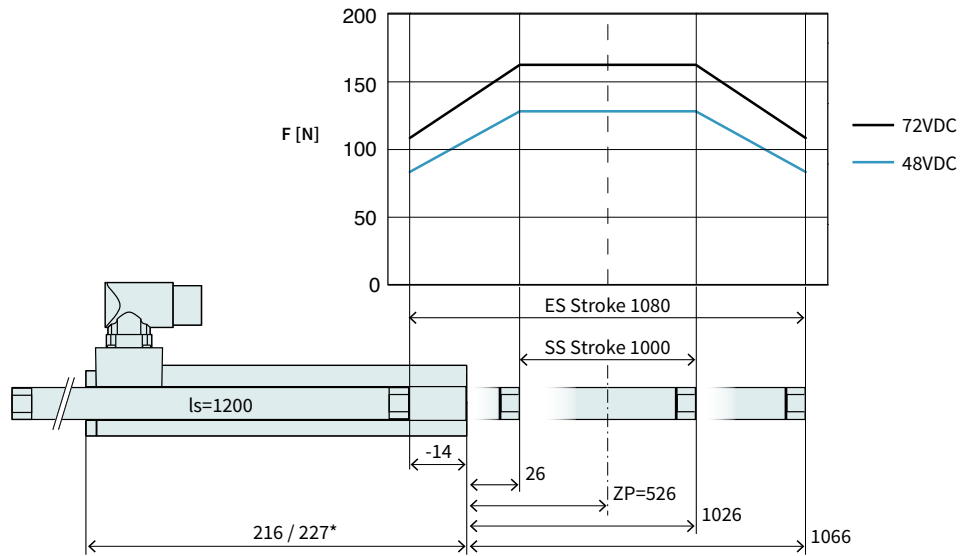
Technical Data P01-37x120/800x880-LC			
<b>Stroke</b>			
Standard Stroke (SS)	mm (in)	800 (31.49)	
Extended Stroke (ES)	mm (in)	880 (34.6)	
<b>Force</b>			
Max. Force @ 48VDC	N (lbf)	128 (28.7)	
Max. Force @ 72VDC	N (lbf)	163 (36.7)	
Max. Cont. Force [Passive cooling / Fan / Fluid]	N (lbf)	28 / 52 / - (6.4 / 12 / -)	
Max. Border Force relative	%	67	
Force Constant	N/A <sub>pk</sub> (lbf/A <sub>pk</sub> )	20.4 (4.59)	
<b>Velocity</b>			
Max. Velocity @ 48VDC	m/s (in/s)	2.2 (84.9)	
Max. Velocity @ 72VDC	m/s (in/s)	3.2 (129.9)	
<b>Position Detection</b>			
Repeatability	mm (in)	±0.05 (±0.002)	
Linearity	%	± 0.15	
<b>Electrical Data</b>			
Max. Current @ 48VDC	A <sub>pk</sub>	6.2	
Max. Current @ 72VDC	A <sub>pk</sub>	7.9	
Max. Cont. Current [Passive cooling / Fan / Fluid]	A <sub>pk</sub>	1.4 / 2.5 / -	
<b>Thermal Data</b>			
Max. Winding Temperature (Sensor)	°C	90	
Thermal Resistance [Passive cooling / Fan / Fluid]	°K/W	3.3 / 0.98 / -	
Thermal Time Constant [Passive cooling / Fan / Fluid]	s	1300 / 390 / -	
<b>Mechanical Data</b>			
Slider Length	mm (in)	1000 (39)	
Slider Mass	g (lb)	2230 (4.91)	



Item	Description	Item-No.
<b>PS01-37x120-C</b>	Stator with IP67 Connector M23/9(m)	<a href="#">0150-1223</a>
<b>PS01-37x120</b>	Stator, 1.5m Cable, Connector P/10(m)	<a href="#">0150-1204</a>
<b>PS01-37x120-C20</b>	Stator, 0.2m Cable, IP67 St. M23/9(m)	<a href="#">0150-1237</a>
<b>PL01-20x1000/940-LC</b>	Slider 'standard LC'	<a href="#">0150-2568</a>

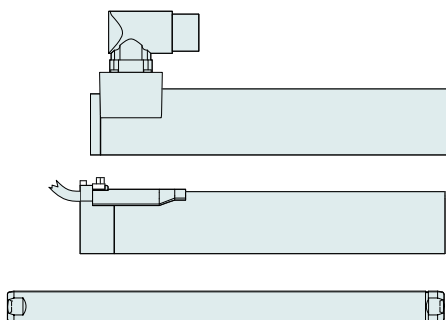
**P01-37x120/1000x1080-LC**

**Max. Stroke:** 1080 mm  
**Peak Force:** 163 N



Dimensions in mm  
 \* Cable Type

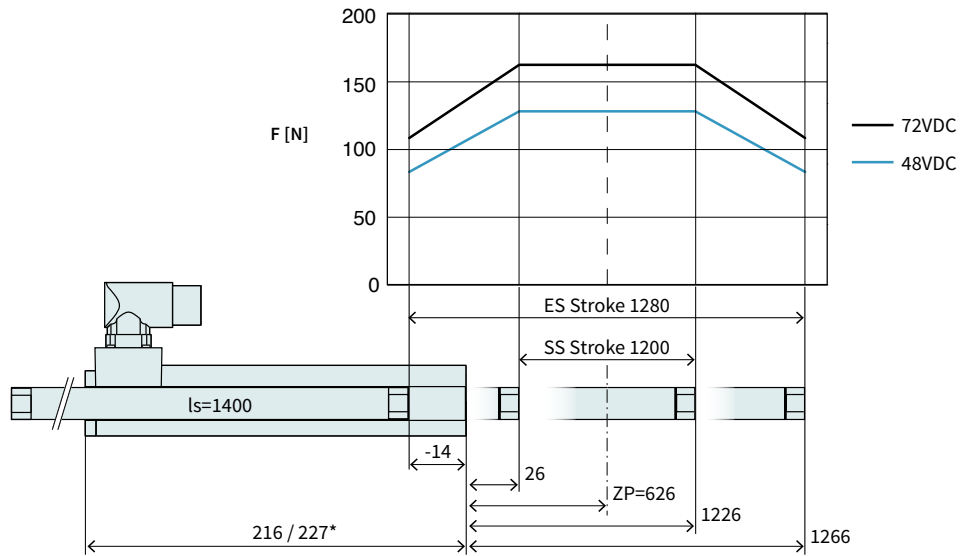
Technical Data P01-37x120/1000x1080-LC				
<b>Stroke</b>				
Standard Stroke (SS)	mm	(in)	1000	(39.39)
Extended Stroke (ES)	mm	(in)	1080	(42.49)
<b>Force</b>				
Max. Force @ 48VDC	N	(lbf)	128	(28.7)
Max. Force @ 72VDC	N	(lbf)	163	(36.7)
Max. Cont. Force [Passive cooling / Fan / Fluid]	N	(lbf)	28 / 52 / -	(6.4 / 12 / -)
Max. Border Force relative			67	
Force Constant	N/A <sub>pk</sub>	(lbf/A <sub>pk</sub> )	20.4	(4.59)
<b>Velocity</b>				
Max. Velocity @ 48VDC	m/s	(in/s)	2.2	(84.9)
Max. Velocity @ 72VDC	m/s	(in/s)	3.2	(129.9)
<b>Position Detection</b>				
Repeatability	mm	(in)	±0.05	(±0.002)
Linearity			± 0.15	
<b>Electrical Data</b>				
Max. Current @ 48VDC	A <sub>pk</sub>		6.2	
Max. Current @ 72VDC	A <sub>pk</sub>		7.9	
Max. Cont. Current [Passive cooling / Fan / Fluid]	A <sub>pk</sub>		1.4 / 2.5 / -	
<b>Thermal Data</b>				
Max. Winding Temperature (Sensor)	°C		90	
Thermal Resistance [Passive cooling / Fan / Fluid]	°K/W		3.3 / 0.98 / -	
Thermal Time Constant [Passive cooling / Fan / Fluid]	s		1300 / 390 / -	
<b>Mechanical Data</b>				
Slider Length	mm	(in)	1200	(47)
Slider Mass	g	(lb)	2690	(5.92)



Item	Description	Item-No.
<b>PS01-37x120-C</b>	Stator with IP67 Connector M23/9(m)	<a href="#">0150-1223</a>
<b>PS01-37x120</b>	Stator, 1.5m Cable, Connector P/10(m)	<a href="#">0150-1204</a>
<b>PS01-37x120-C20</b>	Stator, 0.2m Cable, IP67 St. M23/9(m)	<a href="#">0150-1237</a>
<b>PL01-20x1200/1140-LC</b>	Slider 'standard LC'	<a href="#">0150-2569</a>

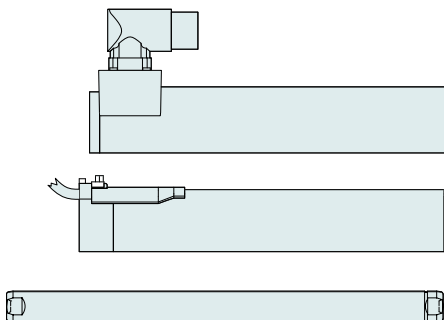
**P01-37x120/1200x1280-LC**

**Max. Stroke:** 1280 mm  
**Peak Force:** 163 N



Dimensions in mm  
 \* Cable Type

Technical Data P01-37x120/1200x1280-LC			
<b>Stroke</b>			
Standard Stroke (SS)	mm (in)		1200 (47.2)
Extended Stroke (ES)	mm (in)		1280 (50.39)
<b>Force</b>			
Max. Force @ 48VDC	N (lbf)		128 (28.7)
Max. Force @ 72VDC	N (lbf)		163 (36.7)
Max. Cont. Force [Passive cooling / Fan / Fluid]	N (lbf)		28 / 52 / - (6.4 / 12 / -)
Max. Border Force relative	%		67
Force Constant	N/A <sub>pk</sub> (lbf/A <sub>pk</sub> )		20.4 (4.59)
<b>Velocity</b>			
Max. Velocity @ 48VDC	m/s (in/s)		2.2 (84.9)
Max. Velocity @ 72VDC	m/s (in/s)		3.2 (129.9)
<b>Position Detection</b>			
Repeatability	mm (in)		±0.05 (±0.002)
Linearity	%		± 0.15
<b>Electrical Data</b>			
Max. Current @ 48VDC	A <sub>pk</sub>		6.2
Max. Current @ 72VDC	A <sub>pk</sub>		7.9
Max. Cont. Current [Passive cooling / Fan / Fluid]	A <sub>pk</sub>		1.4 / 2.5 / -
<b>Thermal Data</b>			
Max. Winding Temperature (Sensor)	°C		90
Thermal Resistance [Passive cooling / Fan / Fluid]	°K/W		3.3 / 0.98 / -
Thermal Time Constant [Passive cooling / Fan / Fluid]	s		1300 / 390 / -
<b>Mechanical Data</b>			
Slider Length	mm (in)		1400 (55)
Slider Mass	g (lb)		3160 (6.95)

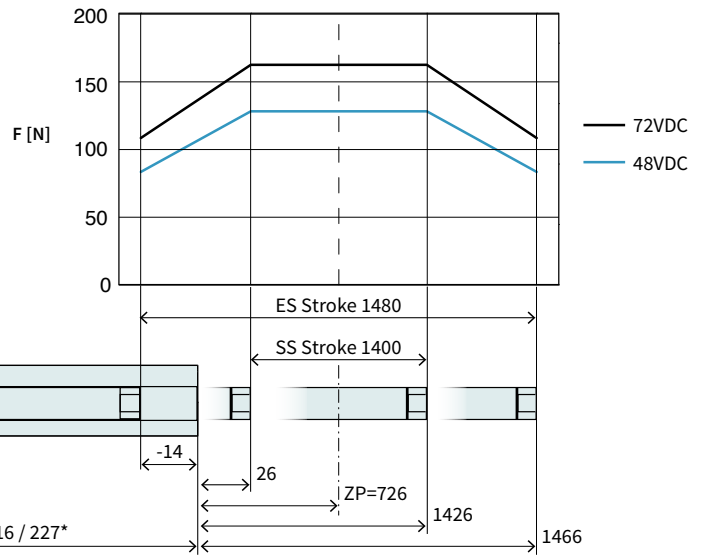


Item	Description	Item-No.
<b>PS01-37x120-C</b>	Stator with IP67 Connector M23/9(m)	<a href="#">0150-1223</a>
<b>PS01-37x120</b>	Stator, 1.5m Cable, Connector P/10(m)	<a href="#">0150-1204</a>
<b>PS01-37x120-C20</b>	Stator, 0.2m Cable, IP67 St. M23/9(m)	<a href="#">0150-1237</a>
<b>PL01-20x1400/1340-LC</b>	Slider 'standard LC'	<a href="#">0150-2570</a>



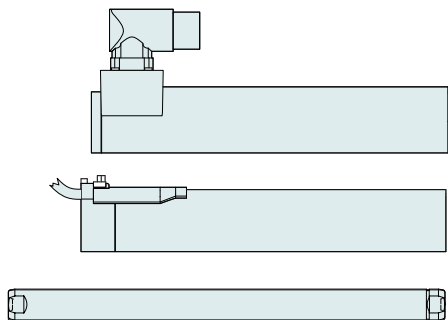
**P01-37x120/1400x1480-LC**

**Max. Stroke:** 1480 mm  
**Peak Force:** 163 N



Dimensions in mm  
 \* Cable Type

Technical Data P01-37x120/1400x1480-LC			
<b>Stroke</b>			
Standard Stroke (SS)	mm (in)		1400 (55.1)
Extended Stroke (ES)	mm (in)		1480 (58.29)
<b>Force</b>			
Max. Force @ 48VDC	N (lbf)		128 (28.7)
Max. Force @ 72VDC	N (lbf)		163 (36.7)
Max. Cont. Force [Passive cooling / Fan / Fluid]	N (lbf)		28 / 52 / - (6.4 / 12 / -)
Max. Border Force relative	%		67
Force Constant	N/A <sub>pk</sub> (lbf/A <sub>pk</sub> )		20.4 (4.59)
<b>Velocity</b>			
Max. Velocity @ 48VDC	m/s (in/s)		2.2 (84.9)
Max. Velocity @ 72VDC	m/s (in/s)		3.2 (129.9)
<b>Position Detection</b>			
Repeatability	mm (in)		±0.05 (±0.002)
Linearity	%		± 0.15
<b>Electrical Data</b>			
Max. Current @ 48VDC	A <sub>pk</sub>		6.2
Max. Current @ 72VDC	A <sub>pk</sub>		7.9
Max. Cont. Current [Passive cooling / Fan / Fluid]	A <sub>pk</sub>		1.4 / 2.5 / -
<b>Thermal Data</b>			
Max. Winding Temperature (Sensor)	°C		90
Thermal Resistance [Passive cooling / Fan / Fluid]	°K/W		3.3 / 0.98 / -
Thermal Time Constant [Passive cooling / Fan / Fluid]	s		1300 / 390 / -
<b>Mechanical Data</b>			
Slider Length	mm (in)		1600 (63)
Slider Mass	g (lb)		3620 (8.0)



Item	Description	Item-No.
<b>PS01-37x120-C</b>	Stator with IP67 Connector M23/9(m)	<a href="#">0150-1223</a>
<b>PS01-37x120</b>	Stator, 1.5m Cable, Connector P/10(m)	<a href="#">0150-1204</a>
<b>PS01-37x120-C20</b>	Stator, 0.2m Cable, IP67 St. M23/9(m)	<a href="#">0150-1237</a>
<b>PL01-20x1600/1540-LC</b>	Slider 'standard LC'	<a href="#">0150-2571</a>

**Linear Guides H01**



**HM01-37x120/80 | Linear Module 37x120 with 80 mm Stroke**

→	H-Guide	H01-37x166/80	H-Guide for P01-37x120, Stroke max 80mm	<a href="#">0150-5020</a>
		H01-37x166/80-GF	H-Guide for P01-37x120, Stroke max 80mm	<a href="#">0150-5080</a>
→	Stator	PS01-37x120-C	Stator with IP67 Connector M23/9(m)	<a href="#">0150-1223</a>
		PS01-37x120-C20	Stator, 0.2m Cable, IP67 St. M23/9(m)	<a href="#">0150-1237</a>
		PS01-37x120	Stator, 1.5m Cable, Connector P/10(m)	<a href="#">0150-1204</a>
→	Slider	PL01-20x300/240-LC	Slider 'standard LC'	<a href="#">0150-2561</a>

**HM01-37x120/180 | Linear Module 37x120 with 180 mm Stroke**

→	H-Guide	H01-37x166/180	H-Guide for P01-37x120, Stroke max. 180 mm	<a href="#">0150-5021</a>
		H01-37x166/180-GF	H-Guide for P01-37x120, Stroke max. 180 mm	<a href="#">0150-5081</a>
→	Stator	PS01-37x120-C	Stator with IP67 Connector M23/9(m)	<a href="#">0150-1223</a>
		PS01-37x120-C20	Stator, 0.2m Cable, IP67 St. M23/9(m)	<a href="#">0150-1237</a>
		PS01-37x120	Stator, 1.5m Cable, Connector P/10(m)	<a href="#">0150-1204</a>
→	Slider	PL01-20x400/340-LC	Slider 'standard LC'	<a href="#">0150-2562</a>

**HM01-37x120/280 | Linear Module 37x120 with 280 mm Stroke**

→	H-Guide	H01-37x166/280	H-Guide for P01-37x120, Stroke max. 280 mm	<a href="#">0150-5022</a>
		H01-37x166/280-GF	H-Guide for P01-37x120, Stroke max. 280 mm	<a href="#">0150-5082</a>
→	Stator	PS01-37x120-C	Stator with IP67 Connector M23/9(m)	<a href="#">0150-1223</a>
		PS01-37x120-C20	Stator, 0.2m Cable, IP67 St. M23/9(m)	<a href="#">0150-1237</a>
		PS01-37x120	Stator, 1.5m Cable, Connector P/10(m)	<a href="#">0150-1204</a>
→	Slider	PL01-20x500/440-LC	Slider 'standard LC'	<a href="#">0150-2563</a>

**Accessories**

→	Brake	HB01-37	Pneumatic brake for H01-37 guides	<a href="#">0150-5052</a>
→	Fan	HV01-37/48	Fan cooling for H01-37/48 & PF02-37/48	<a href="#">0150-5051</a>
→	MagSpring	MF01-37/H37	Flange MagSpring 37 / H-Guide 23/37/48	<a href="#">0250-2307</a>
		MA01-37/H37	Adapter MagSpring 37&20 / H-Guide 37	<a href="#">0250-0117</a>
→	Centering sleeve	HC01-09/04	Centering sleeve D9x4 mm	<a href="#">0150-3251</a>
→	Wipers	HA01-27/20-F	Wiper for H01-37 guides, front side	<a href="#">0150-5108</a>

FIND MORE PRODUCT DETAILS IN THE CHAPTER "LINEAR GUIDES".

**Bridge Guide B01**



**BM01-37x120/160 Bridge Module 37x120 with 160 mm Stroke <sup>1)</sup>**

→	B-Guide	B01-37x166/160	B-Guide for P01-37x120, Stroke max 160 mm	<a href="#">0150-5138</a>
		B01-37x166/160-GF	B-Guide for P01-37x120, Stroke max 160 mm	<a href="#">0150-5141</a>
→	Stator	PS01-37x120-C	Stator with IP67 connector M23/9(m)	<a href="#">0150-1223</a>
		PS01-37x120-C20	Linearmotor Stator, 0.2m Cable, Connector C - IP67	<a href="#">0150-1237</a>
		PS01-37x120	Linearmotor Stator, 1.5m Cable, Connector P	<a href="#">0150-1204</a>
→	Slider	PL01-19x395/320	High Clearance Slider for B01-37x166/160	<a href="#">0150-1452</a>

**BM01-37x120/260 Bridge Module 37x120 with 260 mm Stroke <sup>1)</sup>**

→	B-Guide	B01-37x166/260	B-Guide for P01-37x120, Stroke max 260 mm	<a href="#">0150-5139</a>
		B01-37x166/260-GF	B-Guide for P01-37x120, Stroke max 260 mm	<a href="#">0150-5142</a>
→	Stator	PS01-37x120-C	Stator with IP67 connector M23/9(m)	<a href="#">0150-1223</a>
		PS01-37x120-C20	Linearmotor Stator, 0.2m Cable, Connector C - IP67	<a href="#">0150-1237</a>
		PS01-37x120	Linearmotor Stator, 1.5m Cable, Connector P	<a href="#">0150-1204</a>
→	Slider	PL01-19x500/420	High Clearance Slider for B01-37x166/260	<a href="#">0150-1455</a>

**BM01-37x120/360 Bridge Module 37x120 with 360 mm Stroke <sup>1)</sup>**

→	B-Guide	B01-37x166/360	B-Guide for P01-37x120, Stroke max 360 mm	<a href="#">0150-5140</a>
		B01-37x166/360-GF	B-Guide for P01-37x120, Stroke max 360 mm	<a href="#">0150-5143</a>
→	Stator	PS01-37x120-C	Stator with IP67 connector M23/9(m)	<a href="#">0150-1223</a>
		PS01-37x120-C20	Linearmotor Stator, 0.2m Cable, Connector C - IP67	<a href="#">0150-1237</a>
		PS01-37x120	Linearmotor Stator, 1.5m Cable, Connector P	<a href="#">0150-1204</a>
→	Slider	PL01-19x600/520	High Clearance Slider for B01-37x166/260	<a href="#">0150-1456</a>

**Accessories**

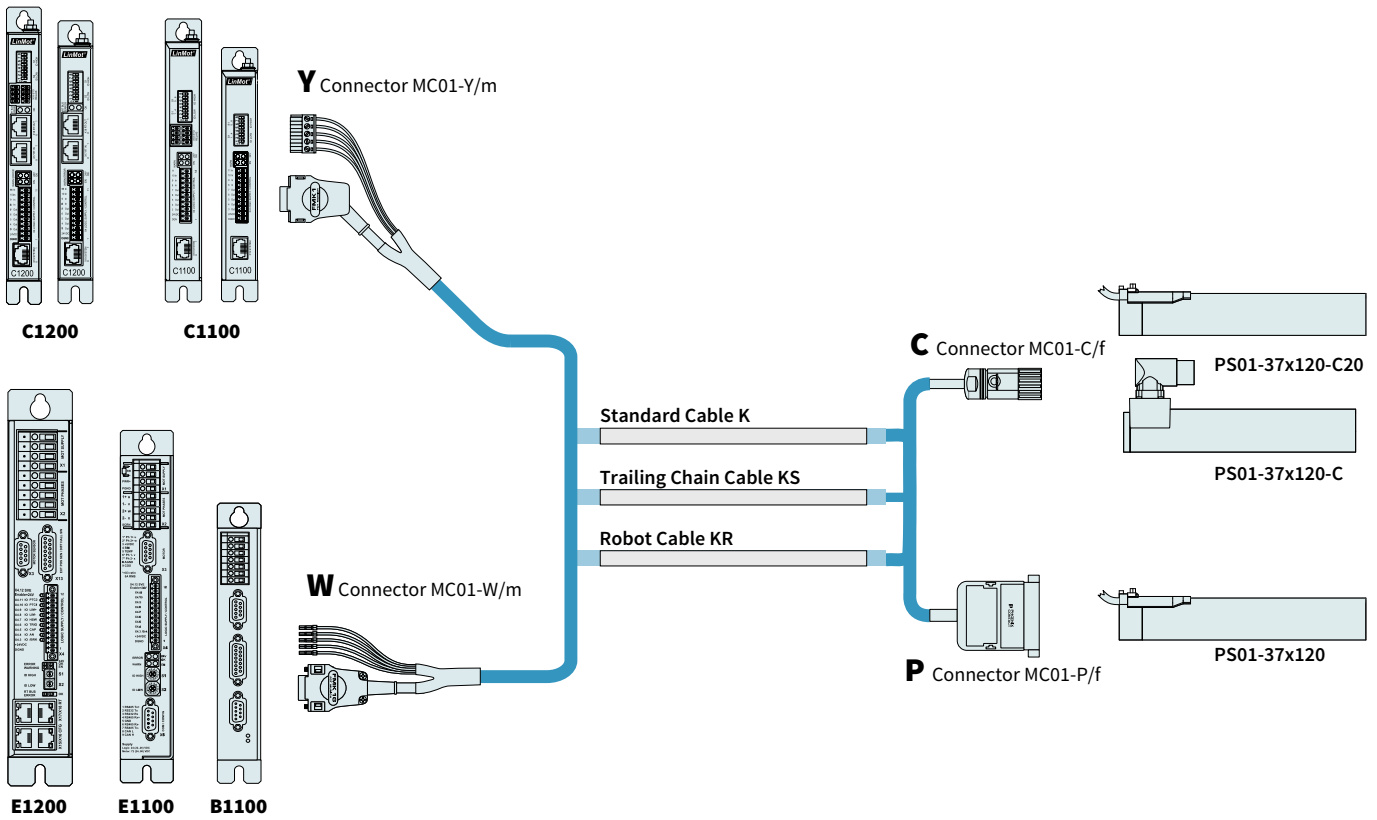
→	Brake	HB01-37	Pneumatic Brake for H01-37/600N (4-6Bar)	<a href="#">0150-5052</a>
→	Fan	HV01-37/48	Fan cooling for H01-37/48 & PF02-37/48	<a href="#">0150-5051</a>
→	MagSpring	MF01-37/H37	Flange MagSpring 37 / H-Guide 23/37/48	<a href="#">0250-2307</a>
		MA01-37/H37	Adapter MagSpring 37&20 / H-Guide 37	<a href="#">0250-0117</a>
→	Centering sleeve	HC01-09/04	Centering sleeve D9x4 mm	<a href="#">0150-3251</a>
→	Wipers	HA01-37/19-F	Wiper for H01-37 guides, front side	<a href="#">0150-5177</a>

<sup>1)</sup> The stroke is reduced by 18 mm when using cable models.

FIND MORE PRODUCT DETAILS IN THE CHAPTER "LINEAR GUIDES".

**Motor Cable**

3



**ORDERING INFORMATION**

STANDARD CABLE

Item	Description	Item-No.
<b>K05-W/C-2</b>	Motor Cable W/C, 2 m	<a href="#">0150-2123</a>
<b>K05-W/C-4</b>	Motor Cable W/C, 4 m	<a href="#">0150-2124</a>
<b>K05-W/C-6</b>	Motor Cable W/C, 6 m	<a href="#">0150-2125</a>
<b>K05-W/C-8</b>	Motor Cable W/C, 8 m	<a href="#">0150-2126</a>
<b>K05-W/C-</b>	Motor Cable W/C, Custom length	<a href="#">0150-3263</a>
<b>K05-W/P</b>	Motor Cable W/P, Custom length	<a href="#">0150-3113</a>
<b>K05-Y/C-2</b>	Motor Cable Y/R, 2 m	<a href="#">0150-2425</a>
<b>K05-Y/C-4</b>	Motor Cable Y/R, 4 m	<a href="#">0150-2426</a>
<b>K05-Y/C-6</b>	Motor Cable Y/R, 6 m	<a href="#">0150-2427</a>
<b>K05-Y/C-8</b>	Motor Cable Y/R, 8 m	<a href="#">0150-2428</a>
<b>K05-Y-Fe/C-</b>	Motor Cable Y-Fe/R, Custom length	<a href="#">0150-3502</a>

## TRAILING CHAIN CABLE

Item	Description	Item-No.
<b>KS05-W/C-4</b>	Trailing Chain Cable W/C, 4 m	<a href="#">0150-2127</a>
<b>KS05-W/C-6</b>	Trailing Chain Cable W/C, 6 m	<a href="#">0150-2128</a>
<b>KS05-W/C-8</b>	Trailing Chain Cable W/C, 8 m	<a href="#">0150-2129</a>
<b>KS05-W/C-</b>	Trailing Chain Cable W/C, Custom length	<a href="#">0150-3204</a>
<b>KS05-W/P-</b>	Trailing Chain Cable W/P, Custom length	<a href="#">0150-3114</a>
<b>KS05-Y/C-4</b>	Trailing Chain Cable Y/C, 4 m	<a href="#">0150-2436</a>
<b>KS05-Y/C-6</b>	Trailing Chain Cable Y/C, 6 m	<a href="#">0150-2437</a>
<b>KS05-Y/C-8</b>	Trailing Chain Cable Y/C, 8 m	<a href="#">0150-2438</a>
<b>KS05-Y-Fe/C-</b>	Trailing Chain Cable Y-Fe/C, Custom length	<a href="#">0150-3508</a>

## ROBOT CABLE

Item	Description	Item-No.
<b>KR05-W/C-</b>	Robot Cable KR05-W/C, Custom length	<a href="#">0150-3644</a>
<b>KR05-Y-Fe/C-</b>	Robot Cable KR05-Y-Fe/C, Custom length	<a href="#">0150-3513</a>

## CONNECTOR &amp; CABLE (INDIVIDUAL)

Item	Description	Item-No.
<b>MC01-W/m</b>	Motor Connector W/m	<a href="#">0150-3140</a>
<b>MC01-Y-Fe/m</b>	Motor Connector Y-Fe/m	<a href="#">0150-3289</a>
<b>MC01-C/f</b>	Motor Connector C/f	<a href="#">0150-3080</a>
<b>MC01-P/f</b>	Motor Connector P/f	<a href="#">0150-3021</a>
<b>K05-04/05</b>	Motor Cable per m	<a href="#">0150-1920</a>
<b>KS05-04/05</b>	Trailing Chain Cable per m	<a href="#">0150-1938</a>
<b>KR05-04/05</b>	Robot Cable per m	<a href="#">0150-1846</a>

**MOTOR FLANGES**



Item	Description	Item-No.
<b>PF02-37x100</b>	Flange 37x100 mm	<a href="#">0150-1998</a>
<b>PF02-37x140</b>	Flange 37x140 mm	<a href="#">0150-2105</a>

FIND MORE PRODUCT DETAILS IN THE CHAPTER "ACCESSORIES".

**FANS**



Item	Description	Item-No.
<b>HV01-37/48</b>	Fan cooling for H01-37/48 & PF02-37/48	<a href="#">0150-5051</a>

FIND MORE PRODUCT DETAILS IN THE CHAPTER "ACCESSORIES".

**SLIDER MOUNTING**



Item	Description	Item-No.
<b>PLF01-20</b>	Fixed Bearing Set for 19mm and 20mm Slider	<a href="#">0150-3083</a>
<b>PLF01-20-SS</b>	Fixed Bearing Set for 19mm and 20mm Slider, Stainless steel	<a href="#">0150-3296</a>
<b>PLL01-19</b>	Floating Bearing for PL01-19 Slider	<a href="#">0150-3335</a>
<b>PLL01-20</b>	Floating Bearing for PL01-20 Slider	<a href="#">0150-3084</a>
<b>PLM01-20-MK</b>	Mounting Kit for PL01-20 Slider	<a href="#">0150-3079</a>

FIND MORE PRODUCT DETAILS IN THE CHAPTER "ACCESSORIES".

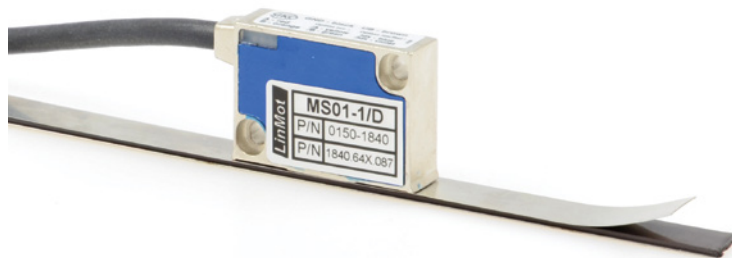
**WIPERS**



Item	Description	Item-No.
<b>PA01-37/19-F</b>	Wiper front side for PS01-37x...	<a href="#">0150-3225</a>
<b>PA01-37/19-R</b>	Wiper back side for PS01-37x...-C	<a href="#">0150-3226</a>
<b>PA01-37/19-R cable</b>	Wiper back side for PS01-37-Cable Type	<a href="#">0150-3227</a>
<b>PA01-37/20-F</b>	Wiper front side for PS01-37x...	<a href="#">0150-3126</a>
<b>PA01-37/20-R</b>	Wiper front side for PS01-37x...	<a href="#">0150-3201</a>
<b>PA01-37/20-R cable</b>	Wiper back side for PS01-37-Cable Type	<a href="#">0150-3221</a>

FIND MORE PRODUCT DETAILS IN THE CHAPTER "ACCESSORIES".

**EXTERNAL POSITION SENSORS**



Item	Description	Item-No.
<b>MS01-1/D</b>	Linear Encoder 1µm, A/B (for incremental strip)	<a href="#">0150-1840</a>
<b>MB01-1000</b>	Magnetic incremental strip for MS01-1/D, per cm	<a href="#">0150-1963</a>
<b>KS025-D/D-Encoder</b>	Encoder Cable (Length in m)	<a href="#">0150-3166</a>
<b>KS025-D/D15-Encoder</b>	Encoder Cable (Length in m)	<a href="#">0150-3168</a>

FIND MORE PRODUCT DETAILS IN THE CHAPTER "ACCESSORIES".



Item	Description	Item-No.
<b>MS01-1/D-SSI</b>	Linear Encoder 1µm, A/B (for absolute strip)	<a href="#">0150-2095</a>
<b>MB01-1000-ABS</b>	Magnetic absolute strip for MS01-1/D-SSI (per cm)	<a href="#">0150-2096</a>
<b>EC01-ABS/ENC-12-S</b>	MS01-1/D-SSI Encoder connector straight	<a href="#">0150-3616</a>
<b>KSS01-12-D15/ABS-ENC</b>	Special cable for MS01-1/D-SSI on C1100/C1200/C1400/E1200/E1400 Drives	<a href="#">0150-3652</a>

FIND MORE PRODUCT DETAILS IN THE CHAPTER "ACCESSORIES".