

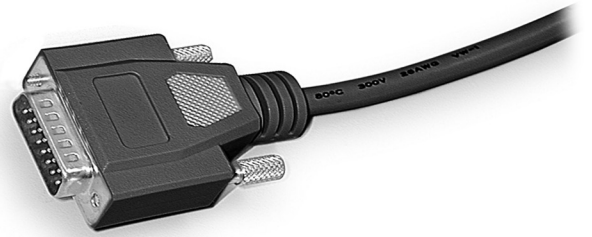
## CBLIO-ISO1 24VDC TTL I/O Converter Cable

The CBLIO-ISO1 cable provides optically isolated 24VDC I/O interface to the controller.

The cable is user configurable as 4 inputs and 3 outputs OR 5 inputs and 2 outputs.

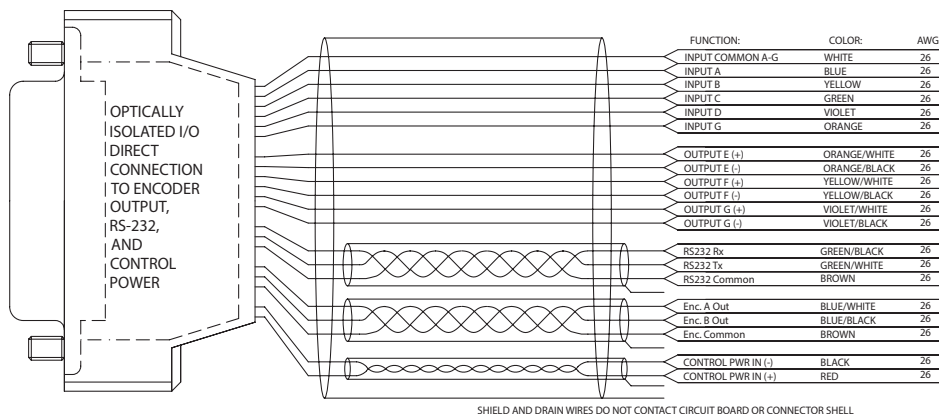
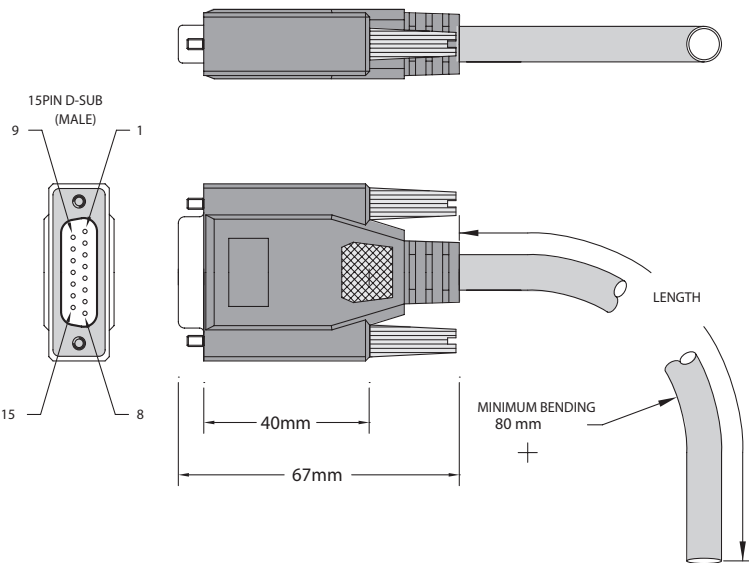
Additionally, this cable provides direct connection to:

- RS-232 Primary Communications Port (Ch. 0)
- Encoder Output
- Control Power Input



Part Number	Length
CBLIO-ISO1-3M	3 meter
CBLIO-ISO1-5M	5 meter
CBLIO-ISO1-10M	10 meter

It can be used with standard or DE option Moog Animatics SmartMotor™



**WARNING:** Pins 15 and 14 are intended for use with DE series motors for powering the controller only. Attempts to power a non-DE motor through those pins for use as the main servo drive power could result in immediate damage to the electronics and will void the warranty.

OVERVIEW SOFTWARE D-STYLE MOTORS D-STYLE CONNECTIVITY PERIPHERALS M-STYLE MOTORS M-STYLE CONNECTIVITY LINEAR SYSTEMS POWER SUPPLIES & SHUNTS GEAR HEADS APPENDIX