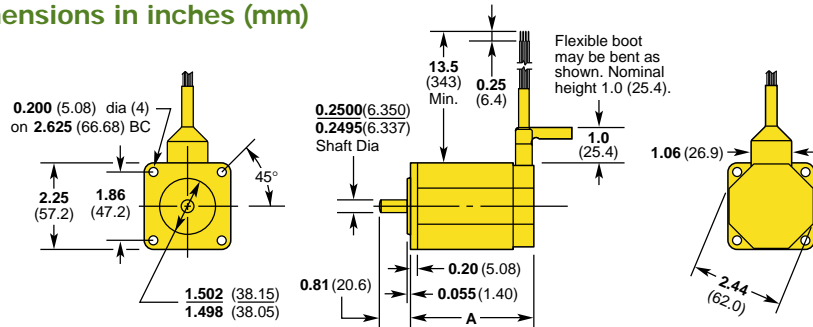


# OEM750/OEM750X Motor Dimensional Drawings

## Size 23 Frame, O Series and OEM57 Motors

Dimensions in inches (mm)



**Frame Size 23**

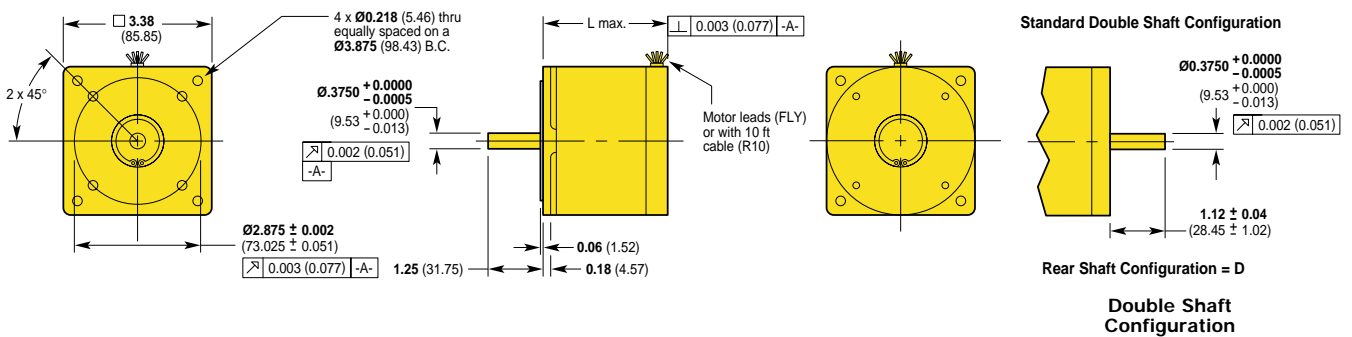
Model	A
OS2HA (OEM57-40)	1.60 (40.6)
OS21A (OEM57-51)	2.06 (52.3)
OS22A (OEM57-83)	3.10 (78.7)

Dimensions in inches (millimeters)

Model	Lmax
OS2HA	1.60 (40.7)
OS21A	2.06 (52.4)
OS22A	3.10 (78.8)

## Size 34 Frame, R Series and OEM83 Motors, Regular Construction

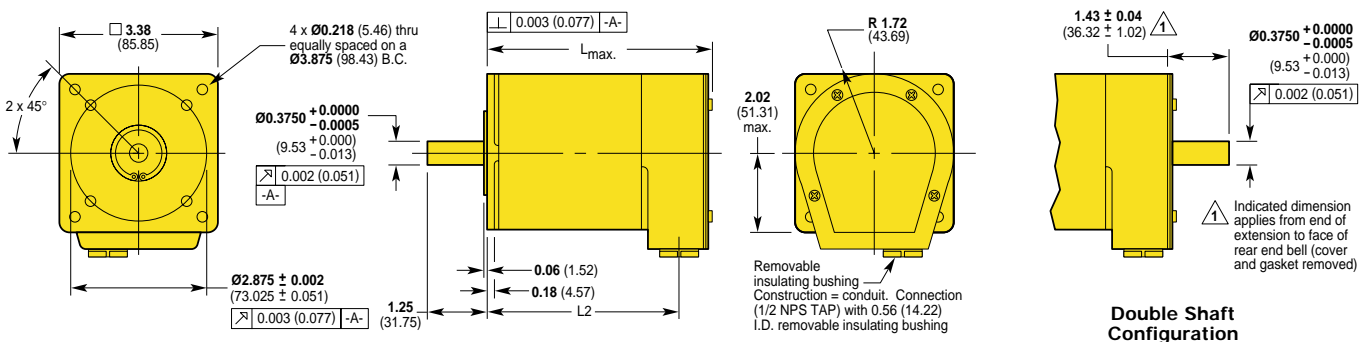
Dimensions in inches (mm)



Model	Lmax
RS31B-□□R10 (OEM83-62)	2.58 (65.54)
RS32B-□□R10 (OEM83-93)	3.76 (95.51)
RS33B-□□R10 (OEM83-135)	5.06 (128.53)

## Size 34 Frame, R Series, End Bell Construction (NPS)

Dimensions in inches (mm)



Model	Lmax	L2
RS31B-□□NPS	3.62 (91.95)	2.87 (72.9)
RS32B-□□NPS	4.77 (121.16)	4.02 (102.11)
RS33B-□□NPS	6.05 (153.67)	5.30 (134.62)

**OEM750/OEM750X Motor Data**

		Size 23 Frame			Size 34 Frame		
		OS2HA	OS21A	OS22A	RS31B	RS32B	RS33B
Static torque	oz-in (Nm)	37 (0.26)	66 (0.47)	133 (0.94)	146 (1.03)	287 (2.02)	361 (2.55)
Rotor Inertia	oz-in <sup>2</sup> (kg-cm <sup>2</sup> )	0.386 (0.070)	0.656 (0.119)	1.390 (0.253)	3.204 (0.583)	6.563 (1.195)	9.652 (1.757)
Drive Current (Apk)(Arms)	Series	2.65 (1.9)	3.3 (2.3)	3.8 (2.7)	2.2 (1.6)	2.8 (2.0)	3.5 (2.4)
	Parallel	5.3 (3.7)	6.6 (4.7)	7.5 (5.3)	4.4 (3.1)	5.6 (4.0)	6.9 (4.9)
Phase Inductance (mH)	Series	1.7	1.8	2.8	11.6	11.6	9.6
	Parallel	0.4	0.4	0.7	2.9	2.9	2.4
Dentent Torque	oz-in (Nm)	2.5 (0.018)	4.0 (0.028)	7.0 (0.049)	8.8 (0.062)	18.0 (0.130)	27.0 (0.190)
<b>Bearings Information</b>							
Thrust Load	lb (kg)	13 (5.9)	13 (5.9)	13 (5.9)	180 (81.6)	180 (81.6)	180 (81.6)
Radial Load	lb (kg)	20 (9.1)	20 (9.1)	20 (9.1)	35 (15.9)	35 (15.9)	35 (15.9)
End Play (Reversing Load Equal to 1 lb)	in (mm)	0.001 (0.025)	0.001 (0.025)	0.001 (0.025)	0.001 (0.025)	0.001 (0.025)	0.001 (0.025)
Radial Play (Per 0.5 lb load)	in (mm)	0.0008 (0.02)	0.0008 (0.02)	0.0008 (0.02)	0.0008 (0.02)	0.0008 (0.02)	0.0008 (0.02)
Motor Weight	lb (kg)	1 (0.45)	1.5 (0.68)	2.5 (1.14)	3.2 (1.45)	5.3 (2.41)	7.6 (3.45)
Certifications	UL recognized	Pending	Pending	Pending	Yes	Yes	Yes
	CE (LVD)	Yes	Yes	Yes	Yes	Yes	Yes
	CE (EMC)	No	No	No	w/C10 kit	w/C10 kit	w/C10 kit

Drives & Drive/Controllers

Quality Products Designed and Priced for OEMs and High-Volume Users. Call 1-800-358-9070.